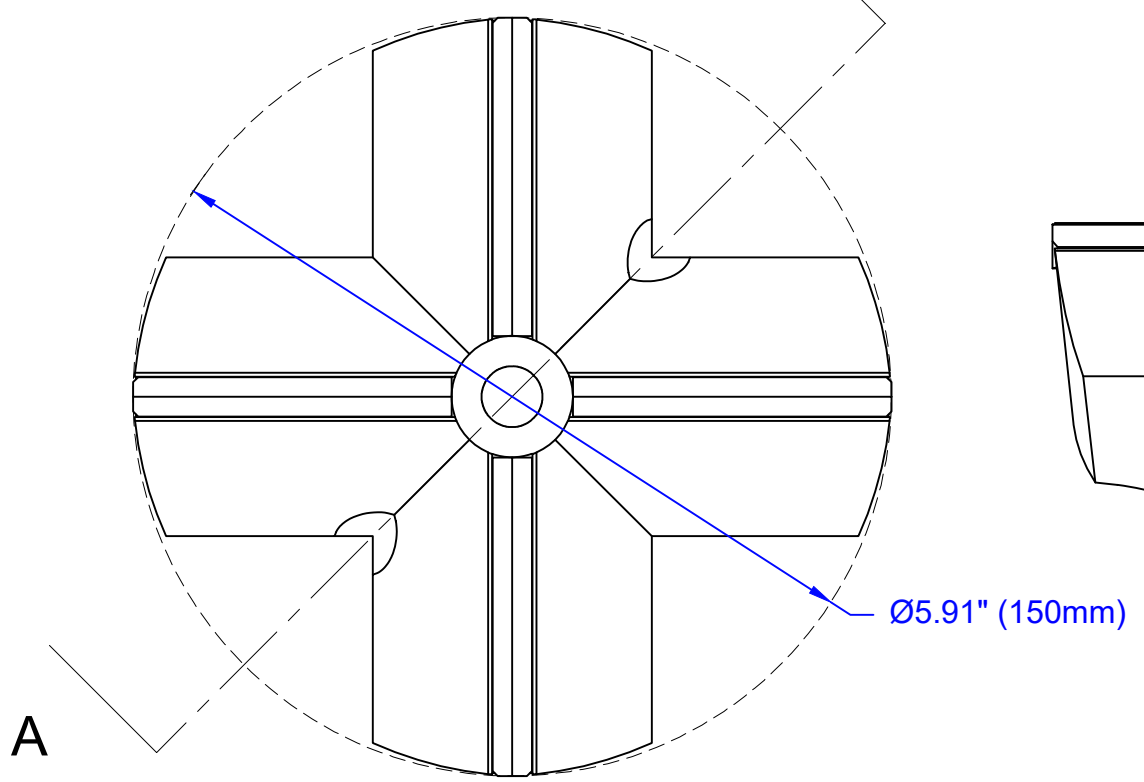
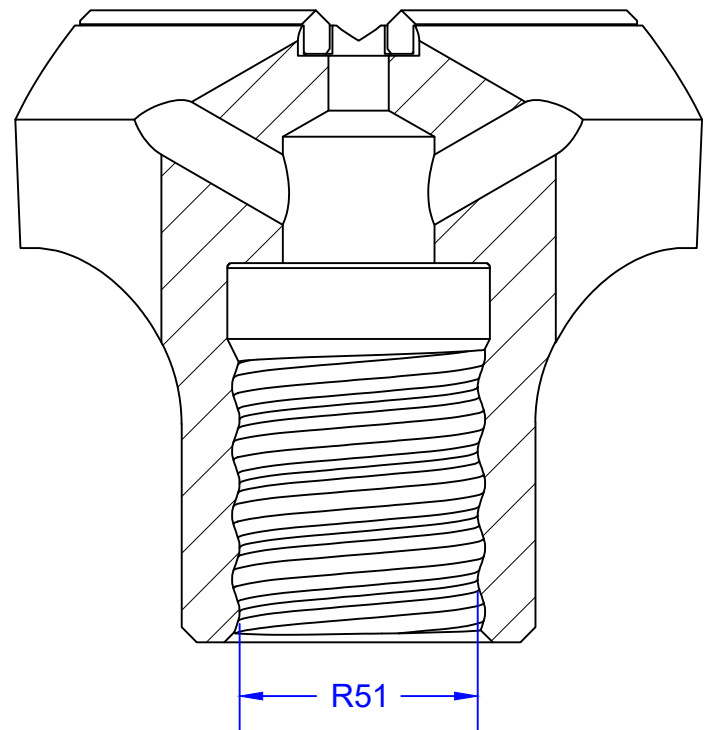
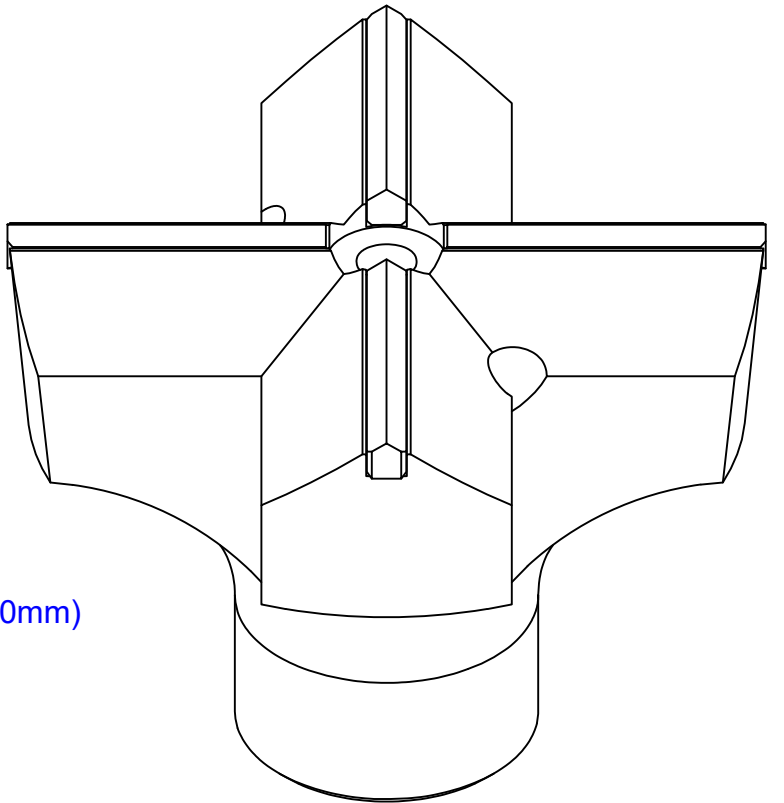


A

A-A



A



MAGNACORE[®]
SELF-DRILLING
ANCHORS

THE INFORMATION CONTAINED HEREIN IS OF A PROPRIETARY NATURE AND IS SUBMITTED IN CONFIDENCE FOR USE OF THE CLIENTS OF INTECH ANCHORING SYSTEMS

Issue / Revisions:

| Rev | Description | Date |
|-----|-------------|------|
| | | |
| | | |
| | | |
| | | |
| | | |
| | | |
| | | |
| | | |
| | | |
| | | |

SHEET TITLE: MAGNACORE SPECS
 SHEET DESCRIPTION: R51 150mm EXX
 DATE: 06/16/2021
 DRAWN BY: JDM
 CHECKED BY: STH

SHEET:
BIT