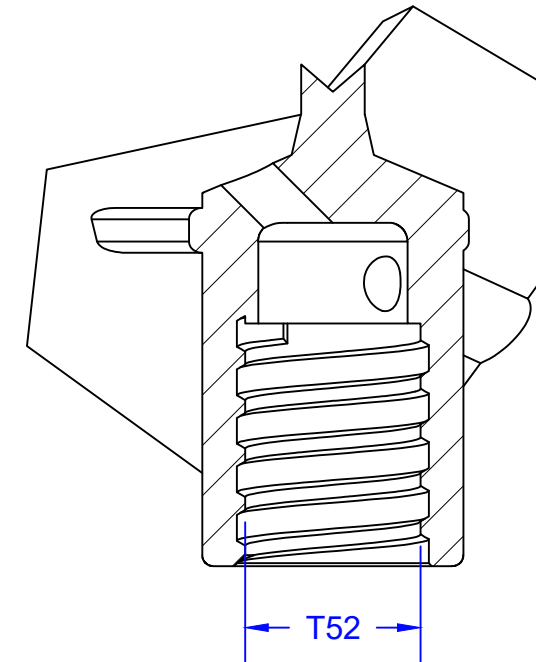
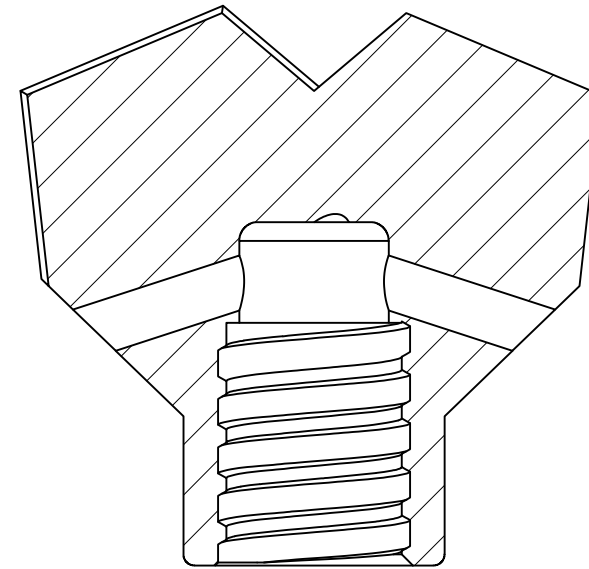
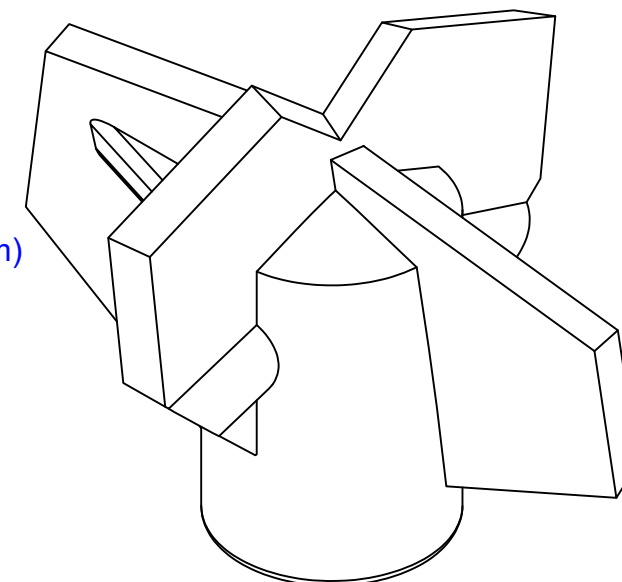
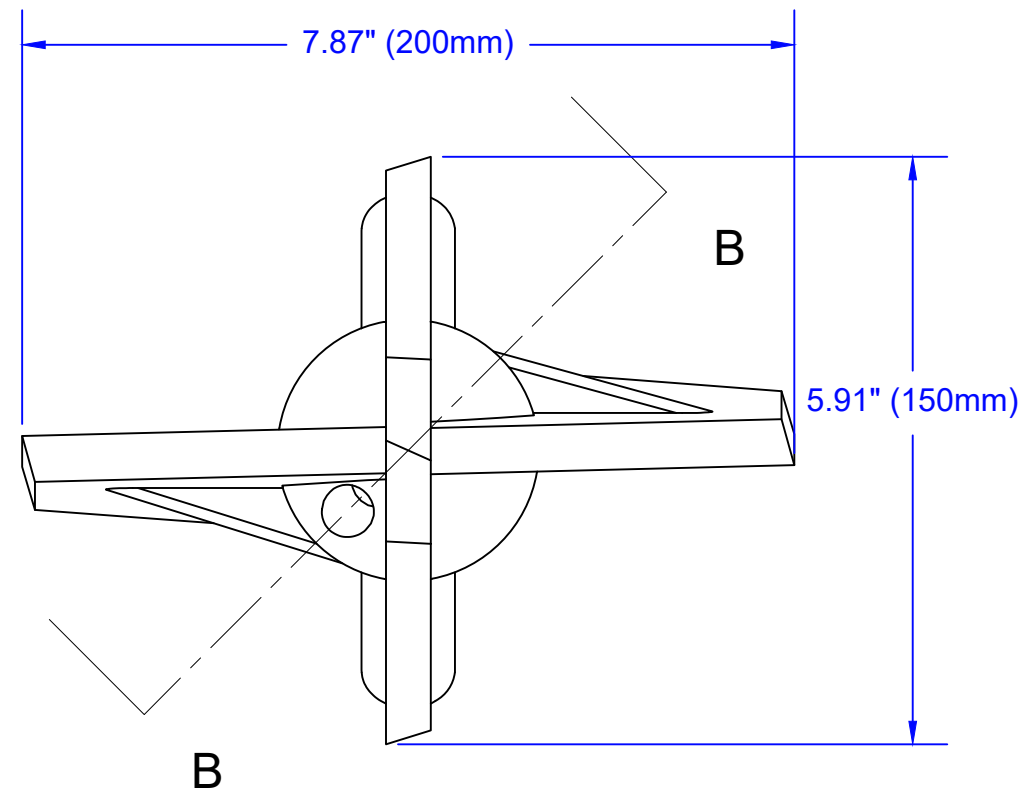


A-A



B-B



**MAGNACORE**<sup>®</sup>  
SELF-DRILLING  
ANCHORS

THE INFORMATION CONTAINED HEREIN IS OF A PROPRIETARY NATURE AND IS SUBMITTED IN CONFIDENCE FOR USE OF THE CLIENTS OF INTECH ANCHORING SYSTEMS

Issue / Revisions:

Rev	Description	Date

SHEET TITLE: MAGNACORE SPECS  
 SHEET DESCRIPTION: T52 200mm CLAY  
 DATE: 06/16/2021  
 DRAWN BY: SJP  
 CHECKED BY: JMC

SHEET:

**BIT**