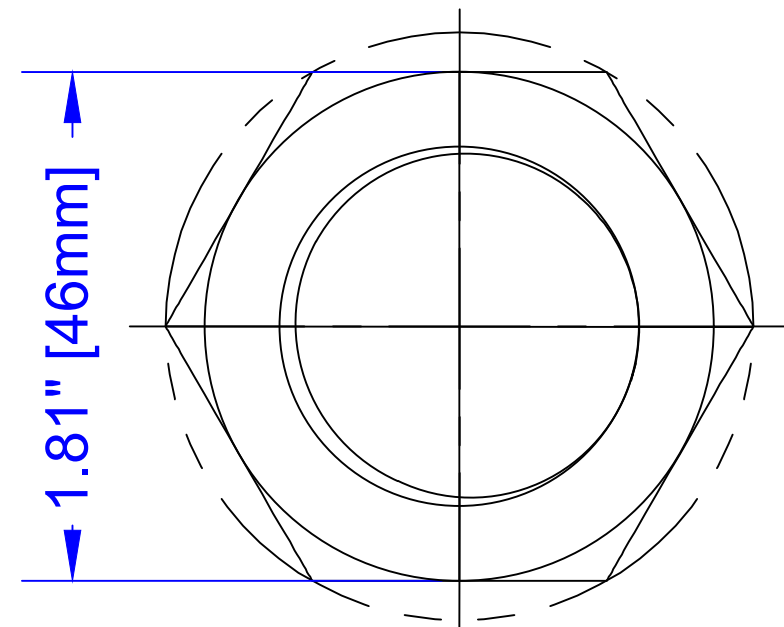
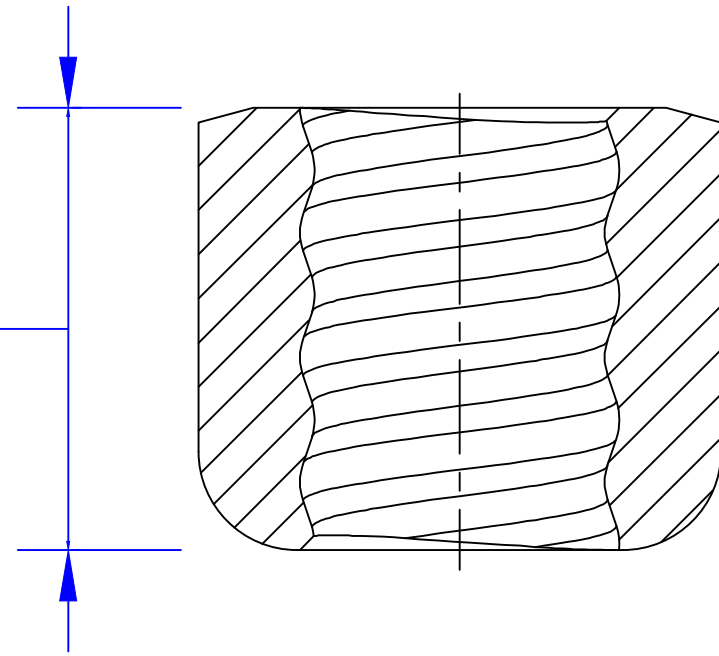


1.77" [45mm] Non-Galv.  
OR 2.17" [55mm] Galv.



THE INFORMATION CONTAINED HEREIN IS OF A PROPRIETARY NATURE AND IS SUBMITTED IN CONFIDENCE FOR USE OF THE CLIENTS OF INTECH ANCHORING SYSTEMS

Issue / Revisions:

Rev	Description	Date

SHEET TITLE: MAGNACORE SPECS  
 SHEET DESCRIPTION: R31S15 Hex Nut  
 DATE: 07/22/2020  
 DRAWN BY: SJP  
 CHECKED BY: JMC

SHEET:

**NUT**