

THE INFORMATION CONTAINED HEREIN IS OF A PROPRIETARY NATURE AND IS SUBMITTED IN CONFIDENCE FOR USE OF THE CLIENTS OF INTECH ANCHORING SYSTEMS

Issue / Revisions:

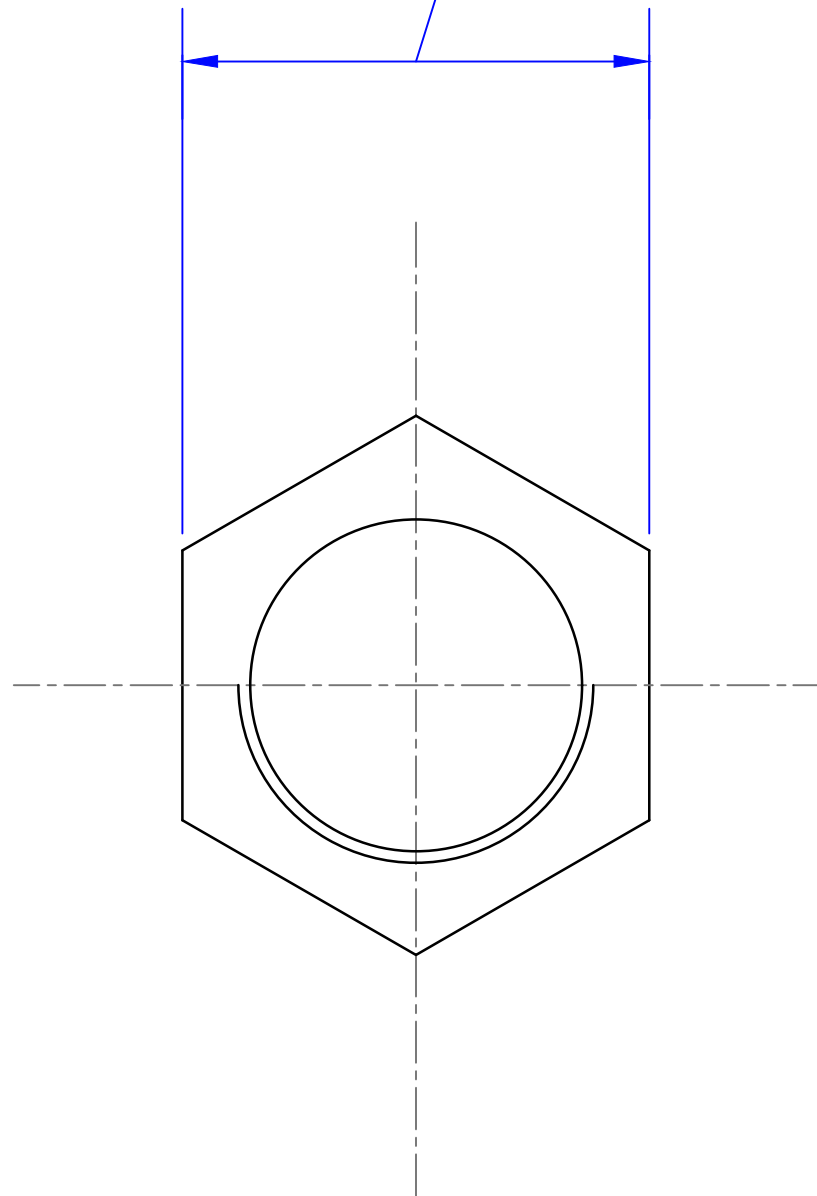
Rev	Description	Date

SHEET TITLE: MAGNACORE SPECS
 SHEET DESCRIPTION: R38N Hex Nut
 DATE: 07/22/2020
 DRAWN BY: SJP
 CHECKED BY: JMC

SHEET:

NUT

1.97in [50mm] Non Galv.
 OR 3.15in [80mm] Galv.



2.36in (60mm)

2.53in (64.2mm)

