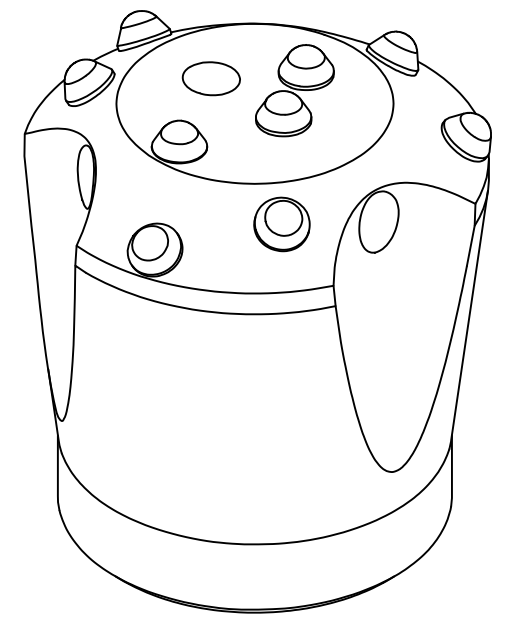
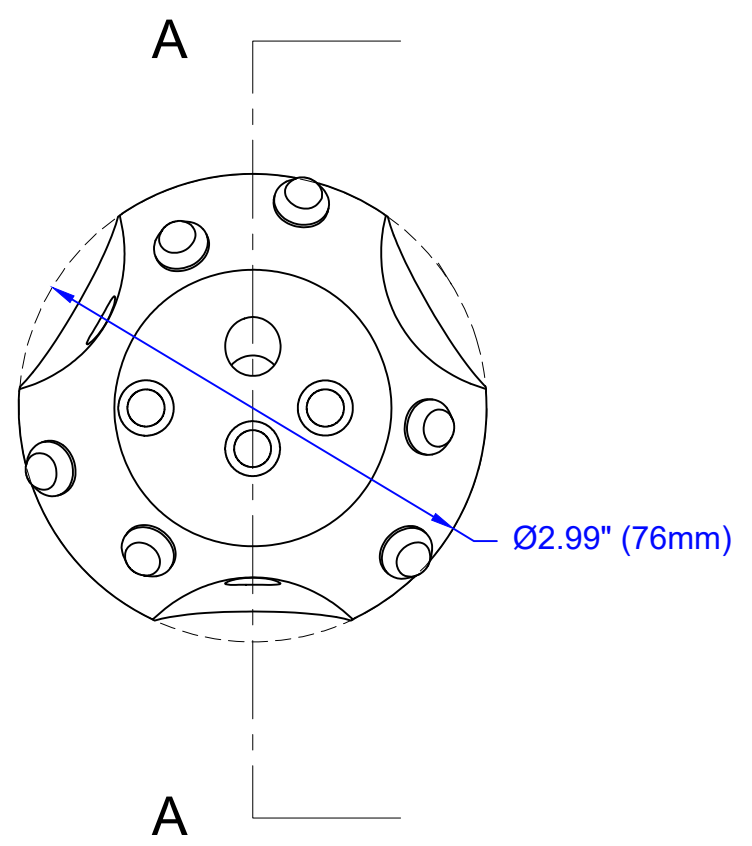
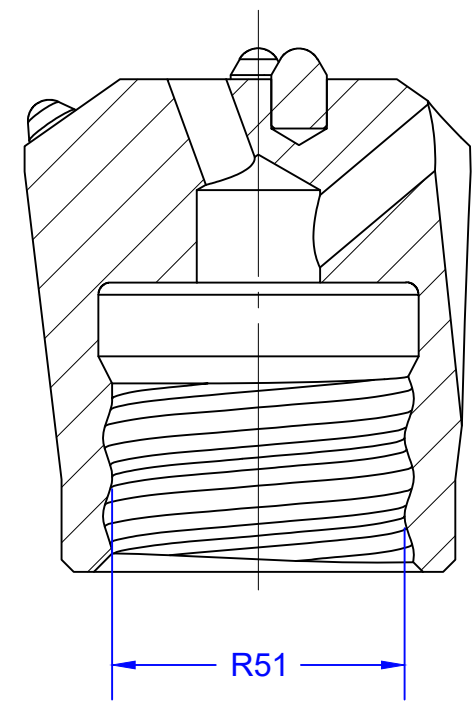


A-A



MAGNACORE[®]
SELF-DRILLING
ANCHORS

THE INFORMATION CONTAINED HEREIN IS OF A PROPRIETARY NATURE AND IS SUBMITTED IN CONFIDENCE FOR USE OF THE CLIENTS OF INTECH ANCHORING SYSTEMS

Issue / Revisions:

Rev	Description	Date

SHEET TITLE: MAGNACORE SPECS
 SHEET DESCRIPTION: R51 76mm ESS
 DATE: 06/16/2021
 DRAWN BY: JDM
 CHECKED BY: STH

SHEET:
BIT