

THE INFORMATION CONTAINED HEREIN IS OF A PROPRIETARY NATURE AND IS SUBMITTED IN CONFIDENCE FOR USE OF THE CLIENTS OF INTECH ANCHORING SYSTEMS

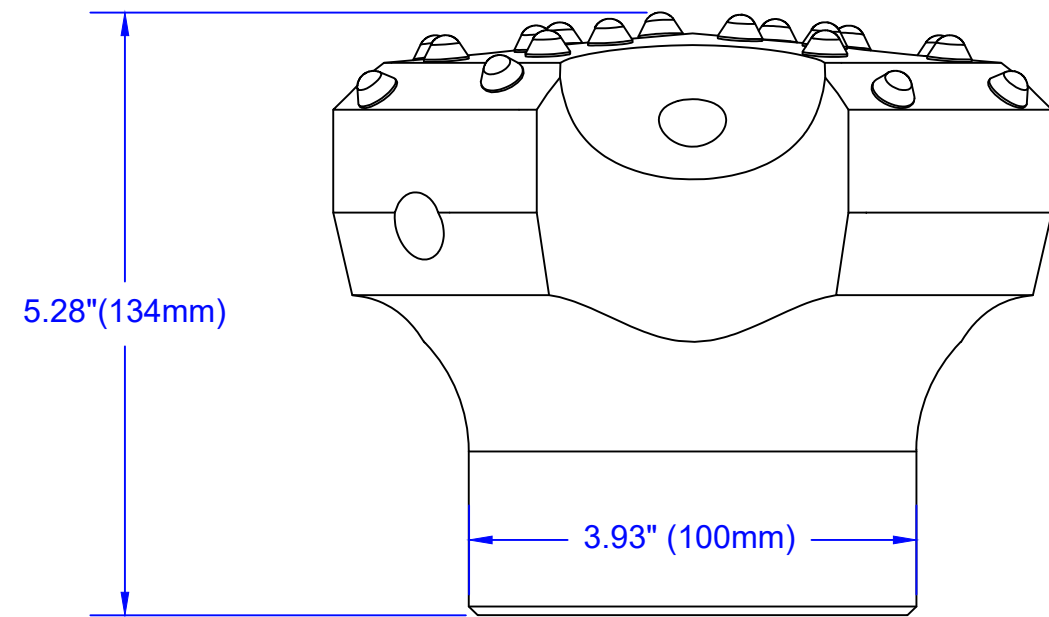
Issue / Revisions:

| Rev | Description | Date |
|-----|-------------|------|
|     |             |      |
|     |             |      |
|     |             |      |
|     |             |      |
|     |             |      |
|     |             |      |
|     |             |      |
|     |             |      |
|     |             |      |
|     |             |      |

SHEET TITLE: MAGNACORE SPECS  
 SHEET DESCRIPTION: T76 175mm ESS  
 DATE: 06/16/2021  
 DRAWN BY: JDM  
 CHECKED BY: STH

SHEET:

**BIT**



A

