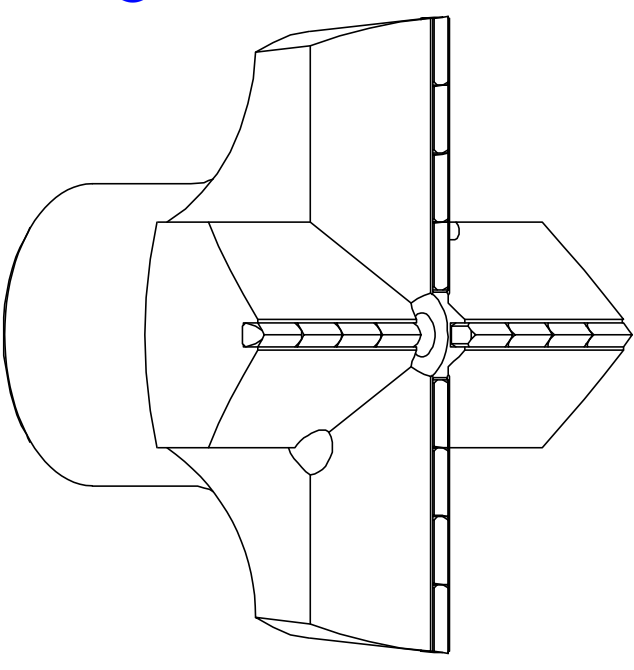
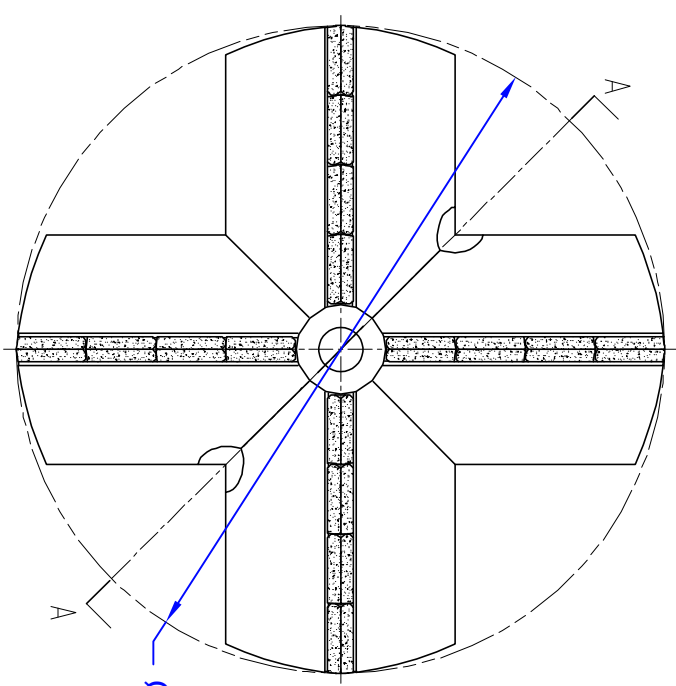
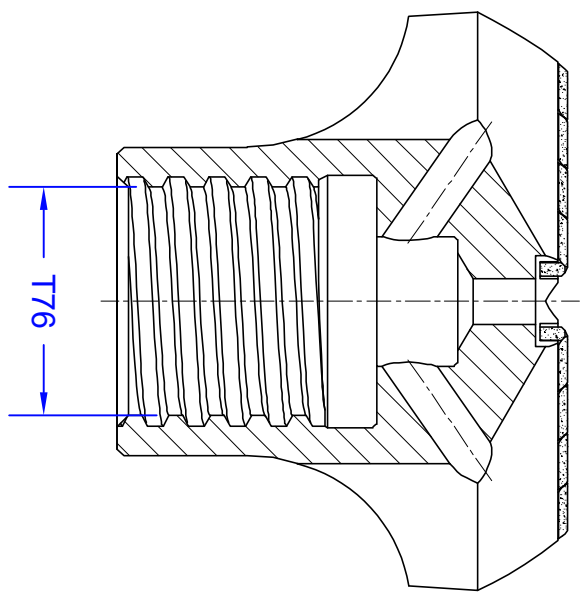
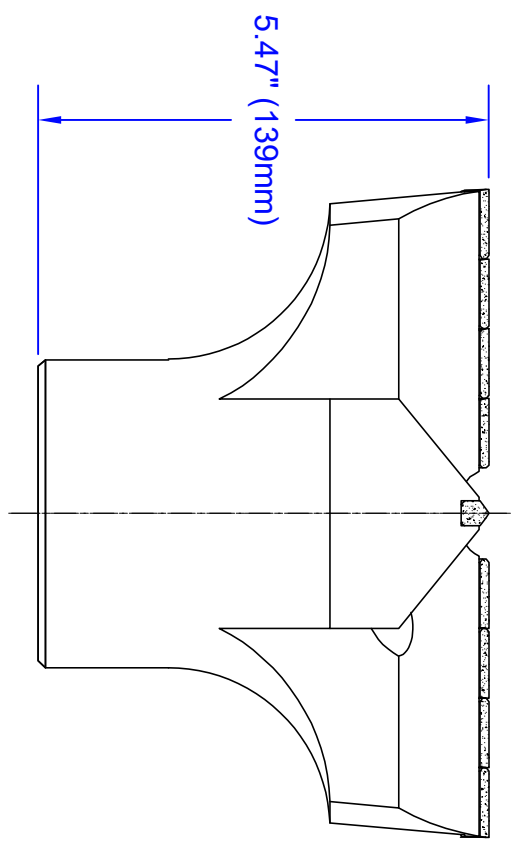


A-A



THE INFORMATION CONTAINED HEREIN IS OF A PROPRIETARY NATURE AND IS SUBMITTED IN CONFIDENCE FOR USE OF THE CLIENTS OF INTECH ANCHORING SYSTEMS



Issue / Revisions:

Rev	Description	Date

SHEET TITLE: MAGNACORE SPECS  
 SHEET DESCRIPTION: T76 200mm EXX  
 DATE: 06/16/2021  
 DRAWN BY: JDM  
 CHECKED BY: STH

SHEET:

**BIT**