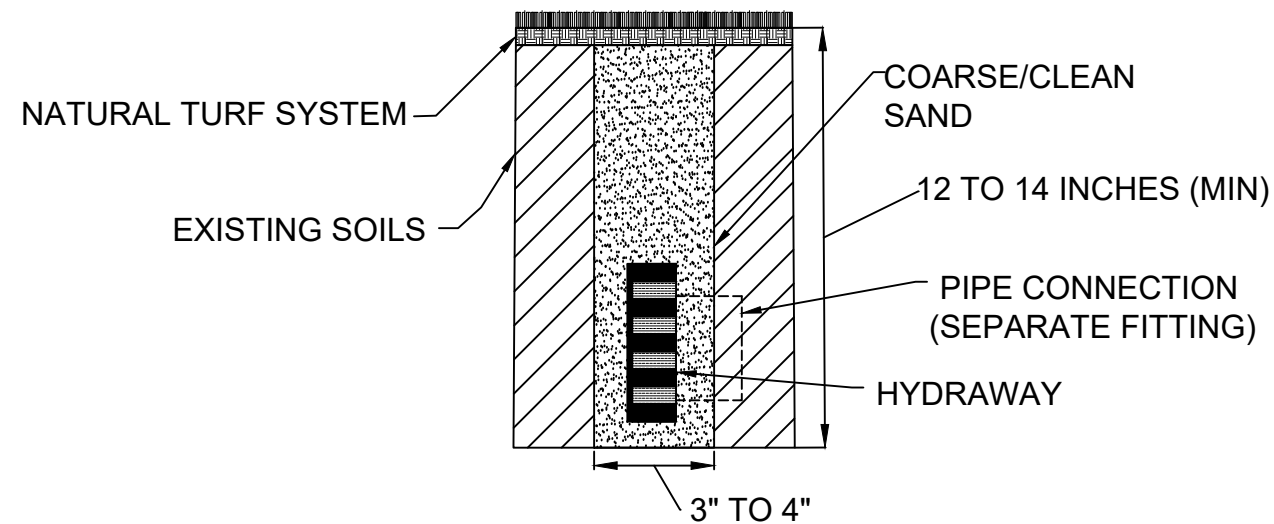


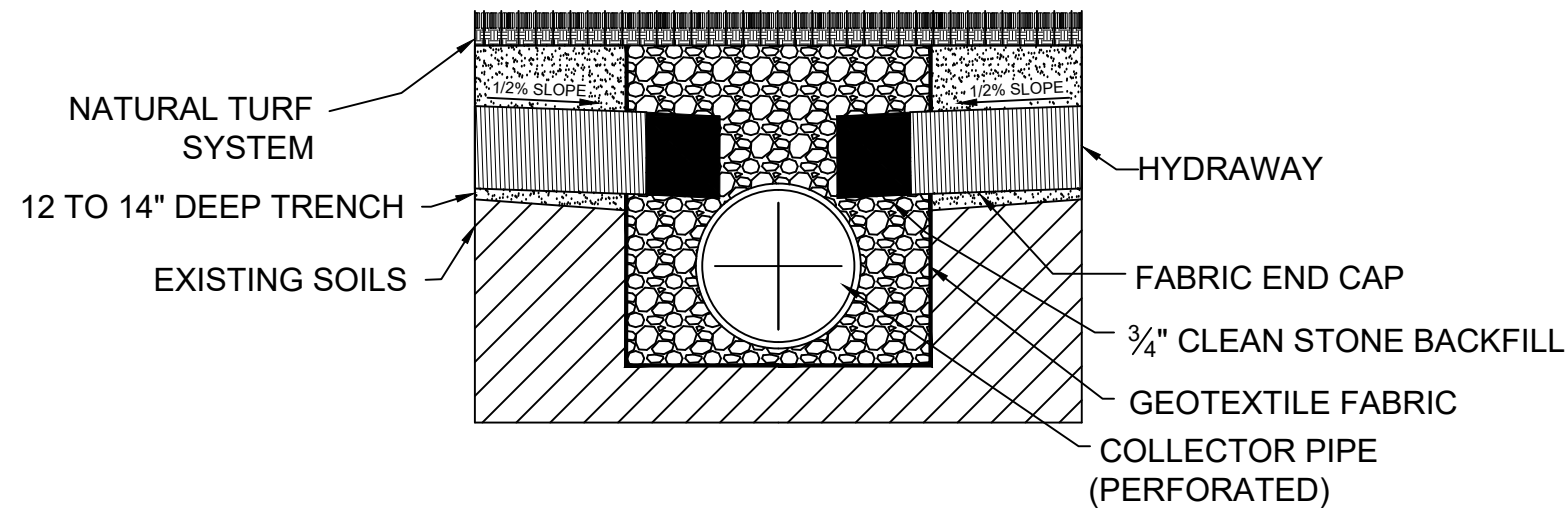
# TYPICAL DETAILS FOR NATURAL TURF FIELDS

## GRAVITY FED



### TYPICAL SUBSURFACE DRAIN DETAIL

HYDRAWAY FLAT DRAIN CONNECTION TO PERFORATED PERIMETER PIPE UNDERDRAIN



### TYPICAL DRAIN TERMINATION DETAIL

HYDRAWAY FLAT DRAIN CONNECTION TO PERFORATED PERIMETER PIPE UNDERDRAIN



THE INFORMATION CONTAINED HEREIN IS OF A PROPRIETARY NATURE AND IS SUBMITTED IN CONFIDENCE FOR USE OF THE CLIENTS OF INTECH ANCHORING SYSTEMS

#### Issue / Revisions:

Rev	Description	Date

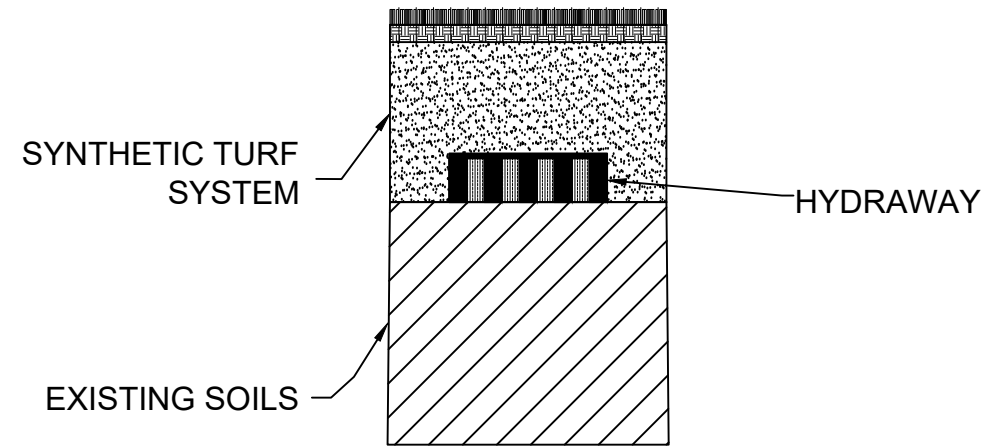
SHEET TITLE: Hydraway Installation  
 SHEET DESCRIPTION: Natural Turf Details  
 DATE: 10/08/2021  
 DRAWN BY: STH  
 CHECKED BY: STH

SHEET:

# HYD

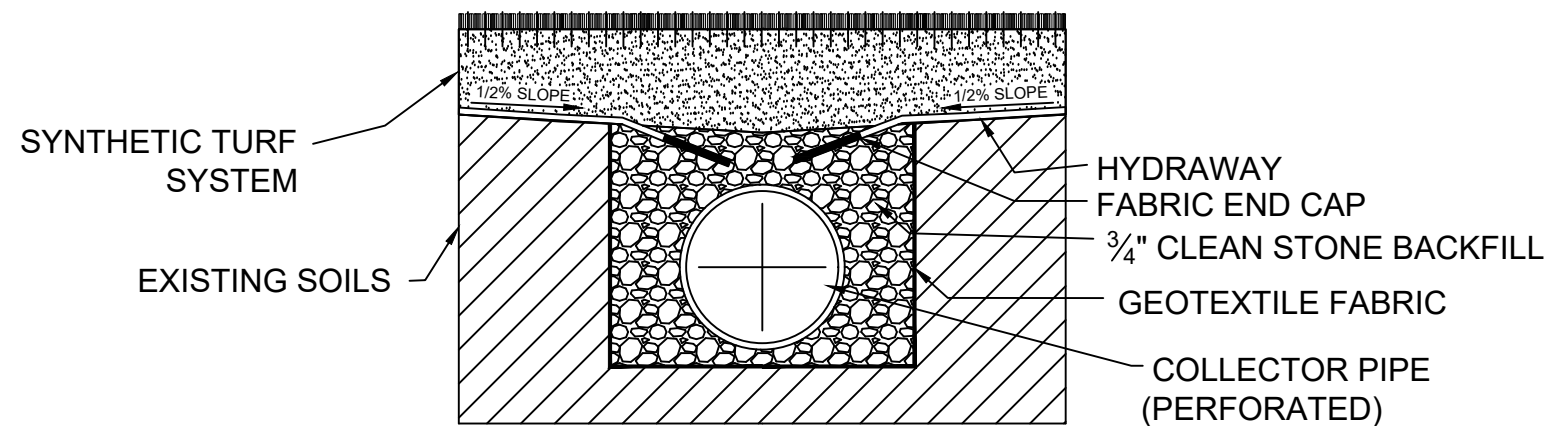
# TYPICAL DETAILS FOR SYNTHETIC TURF FIELDS

## GRAVITY FED



### TYPICAL SUBSURFACE DRAIN DETAIL

HYDRAWAY FLAT DRAIN CONNECTION TO PERFORATED PERIMETER PIPE UNDERDRAIN



### TYPICAL DRAIN TERMINATION DETAIL

HYDRAWAY FLAT DRAIN CONNECTION TO PERFORATED PERIMETER PIPE UNDERDRAIN



THE INFORMATION CONTAINED HEREIN IS OF A PROPRIETARY NATURE AND IS SUBMITTED IN CONFIDENCE FOR USE OF THE CLIENTS OF INTECH ANCHORING SYSTEMS

#### Issue / Revisions:

Rev	Description	Date

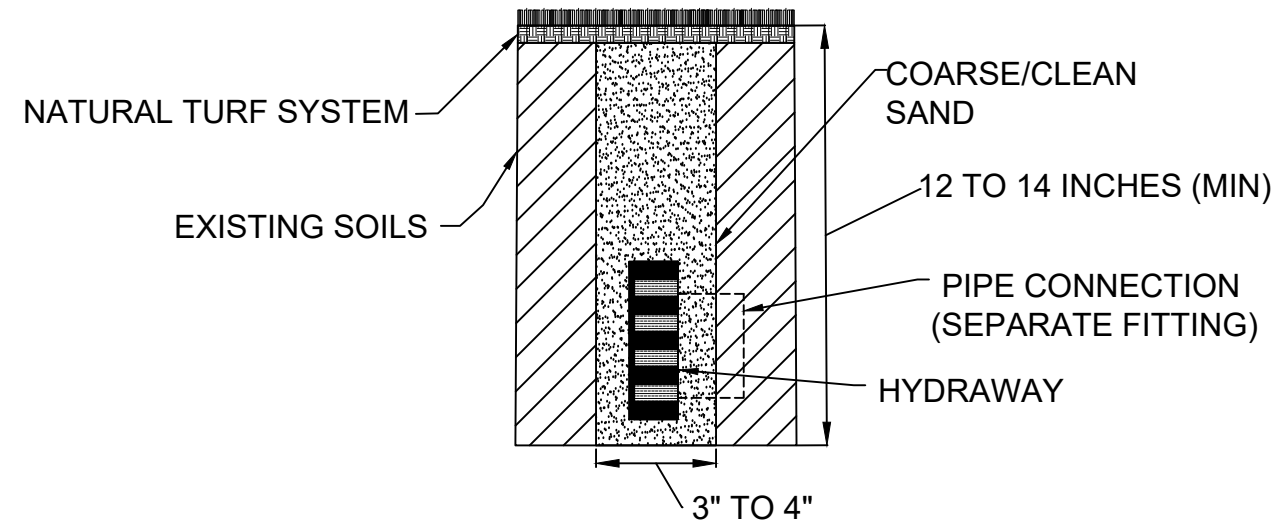
SHEET TITLE: Hydraway Installation  
 SHEET DESCRIPTION: Synthetic Turf Details  
 DATE: 10/08/2021  
 DRAWN BY: STH  
 CHECKED BY: STH

SHEET:

# HYD

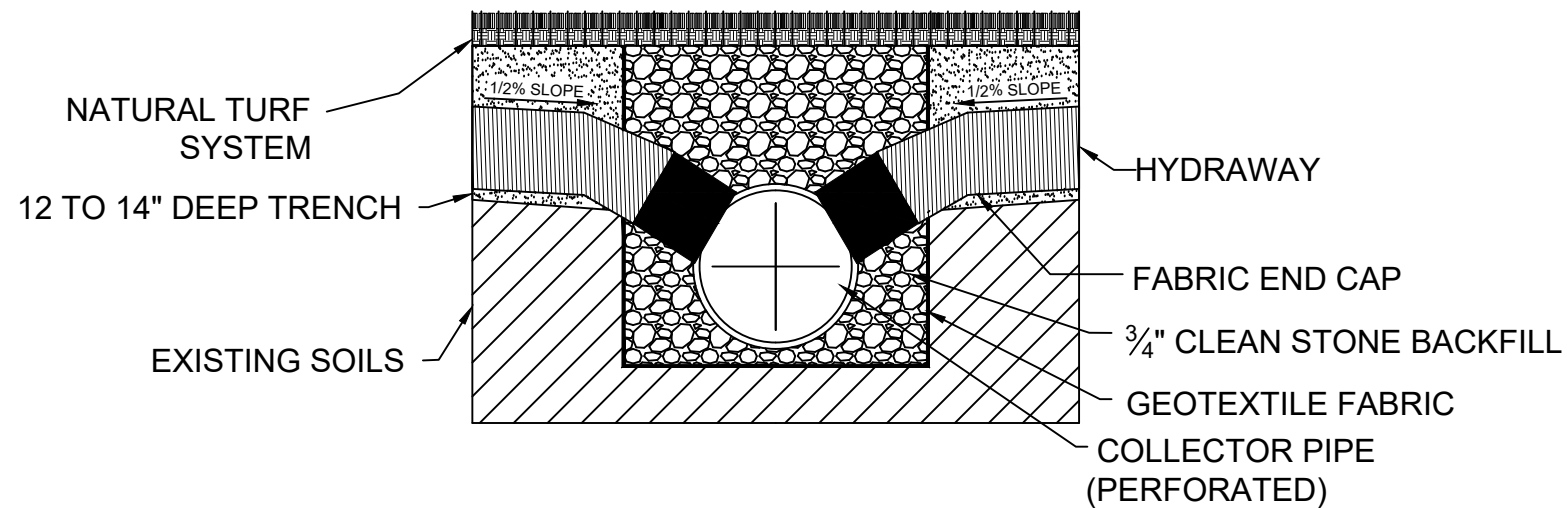
# TYPICAL DETAILS FOR NATURAL TURF FIELDS

## HARD CONNECTION



### TYPICAL SUBSURFACE DRAIN DETAIL

HYDRAWAY FLAT DRAIN CONNECTION TO PERFORATED PERIMETER PIPE UNDERDRAIN



### TYPICAL DRAIN TERMINATION DETAIL

HYDRAWAY FLAT DRAIN CONNECTION TO PERFORATED PERIMETER PIPE UNDERDRAIN



THE INFORMATION CONTAINED HEREIN IS OF A PROPRIETARY NATURE AND IS SUBMITTED IN CONFIDENCE FOR USE OF THE CLIENTS OF INTECH ANCHORING SYSTEMS

#### Issue / Revisions:

Rev	Description	Date

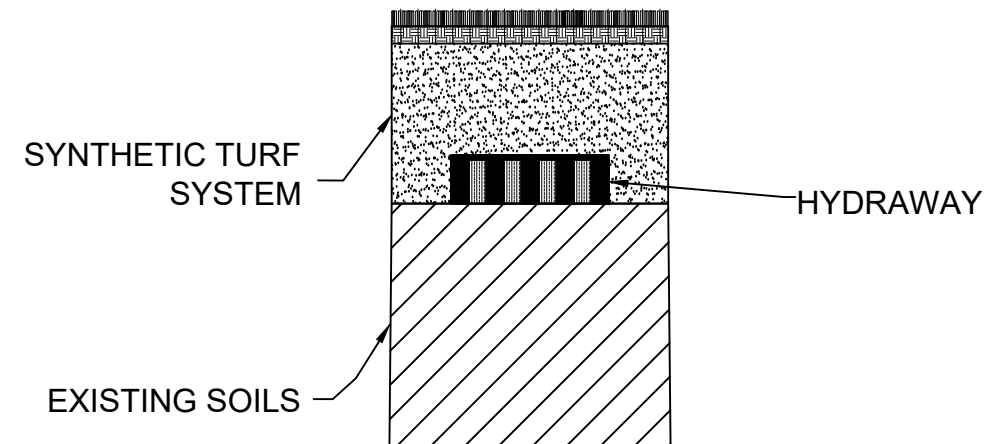
SHEET TITLE: Hydraway Installation  
 SHEET DESCRIPTION: Natural Turf Details  
 DATE: 10/08/2021  
 DRAWN BY: STH  
 CHECKED BY: STH

SHEET:

# HYD

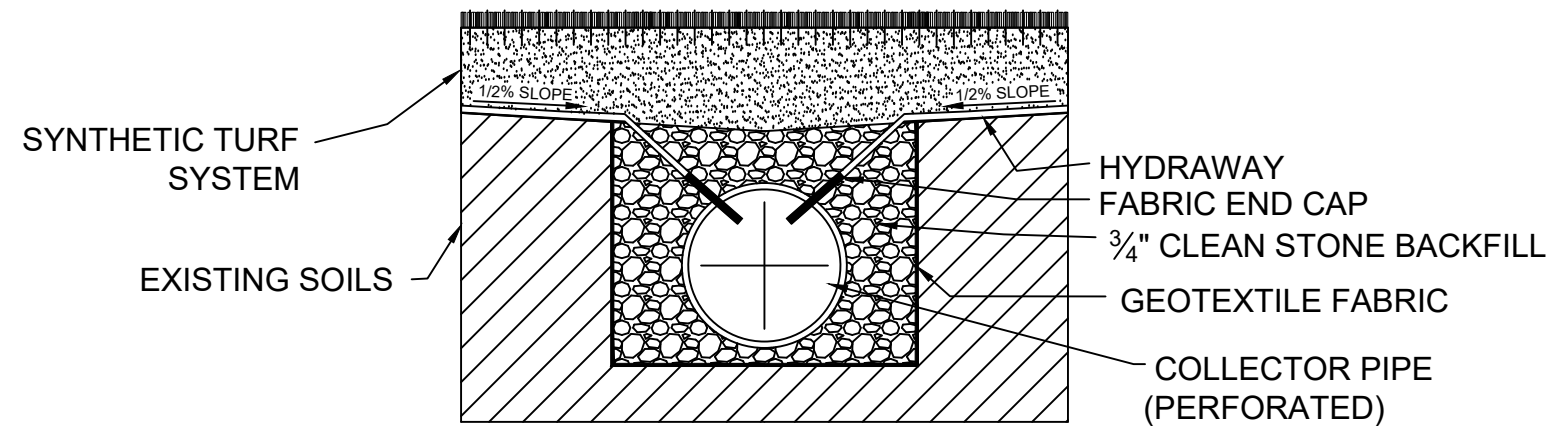
# TYPICAL DETAILS FOR SYNTHETIC TURF FIELDS

## HARD CONNECTION



### TYPICAL SUBSURFACE DRAIN DETAIL

HYDRAWAY FLAT DRAIN CONNECTION TO PERFORATED PERIMETER PIPE UNDERDRAIN



### TYPICAL DRAIN TERMINATION DETAIL

HYDRAWAY FLAT DRAIN CONNECTION TO PERFORATED PERIMETER PIPE UNDERDRAIN



THE INFORMATION CONTAINED HEREIN IS OF A PROPRIETARY NATURE AND IS SUBMITTED IN CONFIDENCE FOR USE OF THE CLIENTS OF INTECH ANCHORING SYSTEMS

#### Issue / Revisions:

Rev	Description	Date

SHEET TITLE: Hydraway Installation  
 SHEET DESCRIPTION: Synthetic Turf Details  
 DATE: 10/08/2021  
 DRAWN BY: STH  
 CHECKED BY: STH

SHEET:

# HYD