



**INSTALLATION AND OWNER'S MANUAL**

# Model E080 & E100 Dehumidifier

INSTALLED BY:	INSTALLER PHONE:	DATE INSTALLED:
---------------	------------------	-----------------



Product Info &  
Digital Manual



**PLEASE LEAVE THIS MANUAL WITH THE DEHUMIDIFIER OWNER**

# Table of Contents

<b>Safety Instructions</b> .....	<b>3</b>	<b>Wiring</b> .....	<b>11</b>
<b>Whole Home Dehumidification</b> .....	<b>3</b>	Wiring to the HVAC System .....	12
<b>Operating the Dehumidifier</b> .....	<b>3</b>	Optional W & Y Wiring.....	12
Energy Savings Tips .....	4	Wiring to External or Remote Controls.....	12
<b>Maintenance</b> .....	<b>4</b>	Wiring to a Float Switch .....	12
Cleaning the Filter.....	4	<b>Ventilation</b> .....	<b>13</b>
Cleaning the Drain.....	5	<b>Zoning the Dehumidifier</b> .....	<b>14</b>
<b>Specifications</b> .....	<b>6</b>	Required Components .....	14
<b>Preparing the Unit for Installation</b> .....	<b>6</b>	<b>Installer Setup</b> .....	<b>15</b>
Repositioning the Control for the Application .....	7	Setting Up Remote Control – Crawl Space/ Sealed Attic .....	16
Moving the Control.....	7	Setting Up Ventilation.....	16
Installing the Duct Collars.....	7	Setting Up Zoning .....	16
<b>Installing the Dehumidifier</b> .....	<b>8</b>	Setting Up External Control.....	16
Dehumidifier Location .....	8	Allowing DEH W/AC.....	16
Leveling and Raising the Dehumidifier.....	8	Applying an RH Offset.....	17
Installing a Condensate Pan Under the Dehumidifier .....	8	<b>Starting Up the Unit and Sequence of Operation</b> .....	<b>17</b>
Installing the Drain .....	9	Using the Dehumidifier Control Only.....	17
<b>Installing Ductwork</b> .....	<b>9</b>	Using a Model 76 as a Remote Control.....	17
Ducting the Dehumidifier Inlet and Outlet to the HVAC System .....	10	Using an External Control .....	17
Ducting the Dehumidifier Outlet to the HVAC System with Dedicated Dehumidifier Inlet Register.....	11	Two-Zone Operation.....	17
		<b>Troubleshooting</b> .....	<b>18</b>
		Diagnostic Codes .....	18
		<b>Service Parts</b> .....	<b>22</b>
		<b>Limited Warranty</b> .....	<b>23</b>
		Warranty Registration .....	23

## SAFETY INSTRUCTIONS

Be sure to read and understand all safety precautions and instructions before installing and operating the unit.

### WARNING

The following precautions indicate a hazardous situation that, if not avoided, *could* result in death or serious injury.

- Always disconnect electrical power before starting installation or servicing to avoid electric shock.
- Always wear glasses/goggles and gloves when installing the unit. Sharp edges may cause serious cuts. Use care when cutting plenum openings and handling ductwork.
- Be sure to use caution when handling the unit. Dropping the unit may cause personal injury or equipment damage.

### CAUTION

The following precautions indicate a hazardous situation that, if not avoided, *could* result in minor or moderate injury.

- Be sure the installation, service and maintenance are performed by a qualified service technician. Improper installation may cause injury or property damage.
- This unit is not intended for use by persons (including children) with reduced physical, sensory or mental capabilities, or lack of experience and knowledge, unless they have been given supervision or instruction concerning use of the unit by a person responsible for their safety.
- Be sure to supervise children to ensure that they do not play with the unit.
- Be sure to replace a damaged supply cord. It must be replaced by a special cord or assembly available from the manufacturer or its service agent.

## NOTICE

The following statements indicate a situation which can cause damage to the equipment and personal property, or cause the equipment to operate improperly.

- Do not use in pool applications. Pool chemicals can damage the dehumidifier.
- Do not use solvents or cleaners on or near the circuit board. Chemicals can damage circuit board components.
- Wait 24 hours before running the unit if it was not shipped or stored in the upright position.
- Do not use dehumidification to prevent window condensation in the winter. To address window condensation, use ventilation to lower indoor humidity in the winter.

## WHOLE HOME DEHUMIDIFICATION

The AprilAire® Dehumidifier controls the humidity level in your entire home. A powerful blower inside the dehumidifier draws air into the cabinet where it is filtered before having moisture removed. A sealed refrigeration system removes moisture by moving the air through a series of tubes and fins that are kept colder than the dew point of the incoming air. The dew point is the temperature at which moisture in the air will condense, much like what occurs on the outside of a cold glass on a hot summer day. The condensed moisture drips into the dehumidifier drain pan to a drain tube routed to the nearest floor drain or condensate pump. After the moisture is removed, the air moves through a second coil where it is reheated before being sent back into the home. The air leaving the dehumidifier will be warmer and drier than the air entering the dehumidifier.

You can reduce the amount of humidity that enters the home by closing windows, doors and fireplace flues when outdoor humidity is high, and by drying clothes outside. Direct exhaust from kitchen vents and bath fans is the best means of controlling humidity due to cooking and showers/baths. The dehumidifier is not designed to prevent window condensation in winter. Use ventilation to lower indoor humidity levels in the winter.

## OPERATING THE DEHUMIDIFIER

1. Use the ON/OFF Power Switch, located by the power cord, to apply power to the dehumidifier.

**NOTE:** The ON/OFF Power Switch should stay ON unless the unit will not be used for an extended period. Use the ON/OFF Button on the control panel to turn the unit off for short durations. With the ON/OFF Button in the ON position and the dehumidifier idle (neither the fan nor the compressor running) the unit will use less than 3W of power.

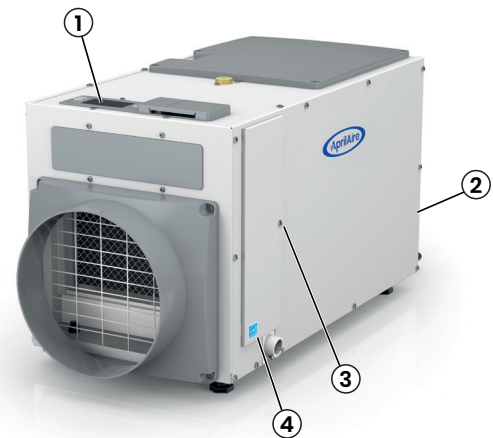


Figure 1: Exterior Components of the Dehumidifier

- |                         |  |
|-------------------------|--|
| 1 - Control Panel       | 3 - Filter Access Door Retaining Screw |
| 2 - ON/OFF Power Switch | 4 - Filter Access Door                 |

- Use the ON/OFF Button (*see Figure 2*) on the control panel to turn the dehumidifier ON. **The first press of a button will turn on the display light**, so if the display was dark, you might need to press it again. Once ON, the display will show the current dehumidifier setting.

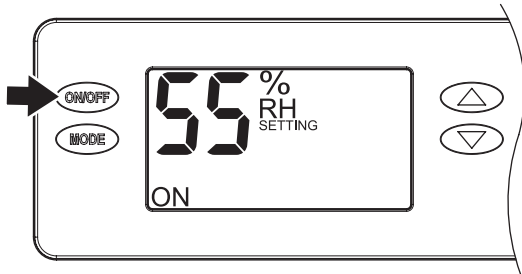


Figure 2: Turning Dehumidifier On

- The dehumidifier blower will turn on, the word SETTING disappears from the display, and the words AIR SAMPLING appear (*see Figure 3*). This wording indicates that the dehumidifier is sampling the air to determine if dehumidification is needed and shows the measured humidity level.

If the control is already ON, lowering the setting will initiate air sampling.

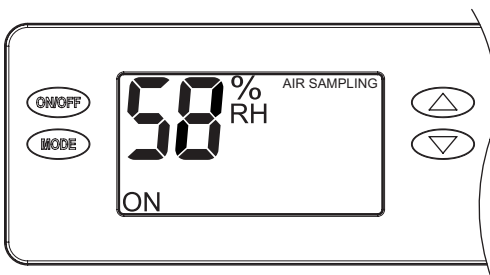


Figure 3: Air Sampling

- If the Relative Humidity (RH) is above the setting, the compressor turns on to dehumidify the space. The word DEHUMIDIFYING appears when the compressor is turned on (*see Figure 4*).

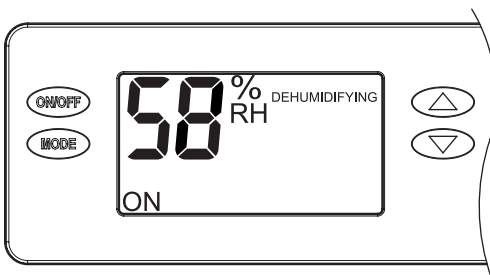


Figure 4: Dehumidifying

## ENERGY SAVINGS TIPS

### ENERGY SAVINGS TIP #1:

Adjust the humidity setting to be as high as is comfortable to reduce dehumidifier run time. If it feels clammy or "smells musty," lower the humidity setting. To save energy, turn the dehumidifier to OFF when you open your windows, just as you would with air conditioning.

### ENERGY SAVINGS TIP #2:

If vacating your home for an extended period in the summer, set the RH at 55% and set your thermostat as high as you are comfortable setting it to in the cooling mode. This will keep the humidity at a controlled level while minimizing the amount of cooling energy used.

## MAINTENANCE

### CLEANING THE FILTER

After initial installation the air filter and drain should be checked and cleaned every 6 months.

- Press the ON/OFF Button on the control panel to turn the unit OFF.
- Loosen the retaining screw on the filter access door (*see Figure 1*) from the drain side of the dehumidifier until it releases and then remove the filter door.
- Slide the filter out of the dehumidifier.
- Rinse the filter with water to remove dust and collected particles from the filter.
- Shake off excess water from the filter.
- Clean the drain as described in *Cleaning the Drain on page 5*.
- Reinstall the filter. An arrow on the filter frame shows the direction of airflow and it should point into the dehumidifier.
- If the filter does not slide back in, make sure the drain insert has been properly installed. *See Installing the Drain on page 9*.
- Replace the filter access door and tighten the retaining screw.
- Press the ON/OFF Button to turn the dehumidifier back ON.

The CLEAN FILTER service reminder (*see Figure 5*) will display on the control every 6 months. To clear the service message, press the ▲ and ▼ buttons simultaneously for 3 seconds.

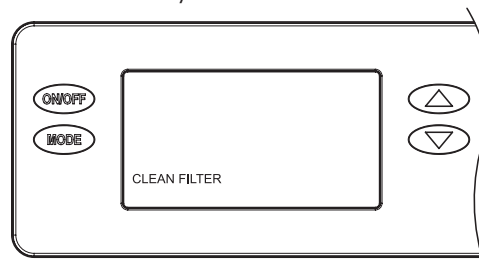
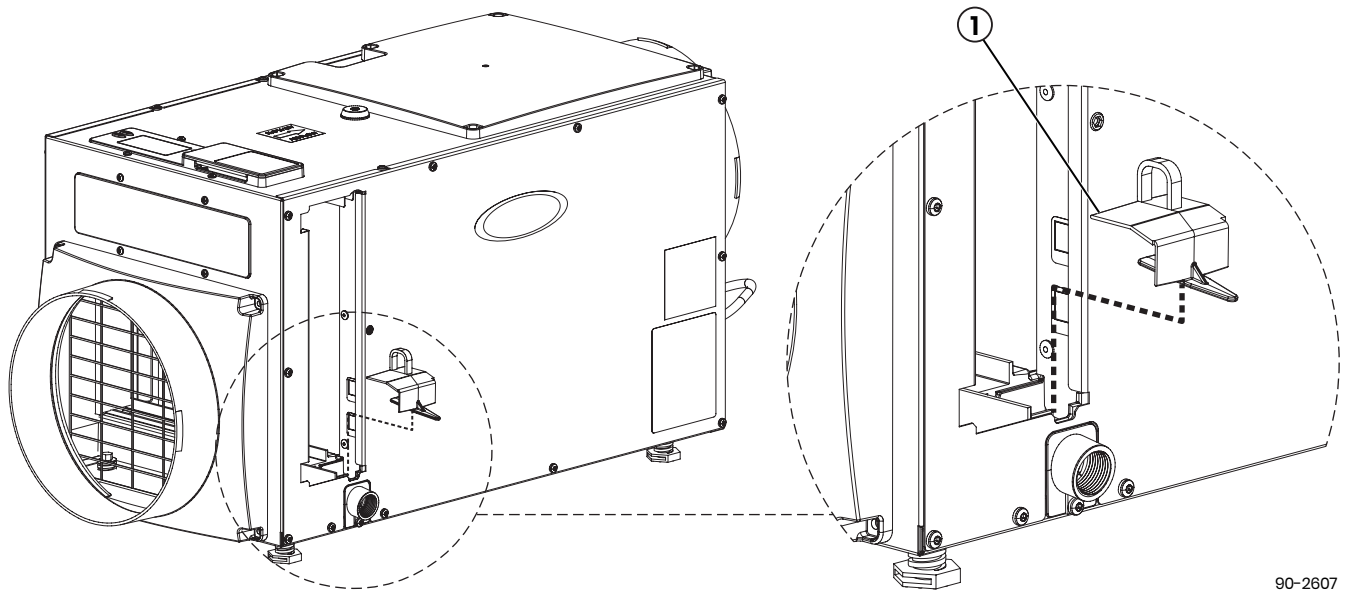


Figure 5: Clean Filter Service Reminder

## CLEANING THE DRAIN

1. With the filter door on the drain side of the dehumidifier removed, reach in and pull out the drain insert using the finger loop (*see Figure 6*).

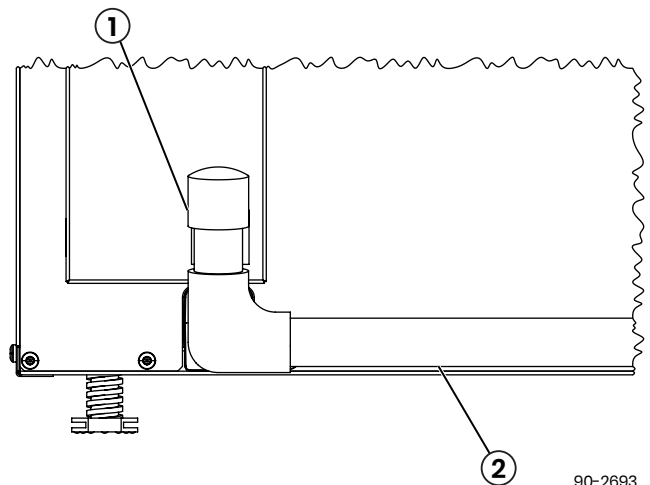


90-2607

Figure 6: Drain Cleaning

- 1 - Drain Insert
2. Clean the drain pan and drain insert using a mild detergent.
3. If the drain has a capped tee or elbow to allow cleaner to be poured directly in the drain, remove the cap and pour approximately one cup of vinegar into the tube (*see Figure 7*). If there is no visible access to the drain line from outside of the dehumidifier, pour approximately one cup of vinegar into the drain pan of the dehumidifier where the drain insert was located.
4. Reinstall the drain insert by gently placing the tip into the drain opening and rocking the insert downwards into place. When inserted properly, the top of the drain insert will be at the same height as the filter guide channel.
5. If the dehumidifier has clear flexible drain tubing, look for excess buildup in the drain line that might prevent water flow, and replace as needed. Clear, smooth, flexible 3/4" inner diameter (ID) drain tubing is available in most hardware stores or Do-It-Yourself (DIY) retail stores.

**NOTE:** Drain insert must be installed before operating.



90-2693

Figure 7: Capped Drain Access for Cleaning Process

1 - Cap

2 - Condensate  
Drain Line

### NOTICE

Running the dehumidifier without the drain insert can lead to condensate leaks.



## SPECIFICATIONS

	Model E080	Model E100		
<b>Unit Weight</b>	63 lbs.	64 lbs.		
<b>Capacity</b> 80°F, 60% RH Conditions	80 pints per day @ 185 CFM	100 pints per day @ 280 CFM		
<b>Power</b> 115 VAC, Single Phase, 60 Hz	5.1A operating current	6.9A operating current		
<b>Dehumidifier Inlet Air Conditions</b>	<b>Dehumidification:</b> 50°F–104°F, 40°F dew point minimum <b>Ventilation:</b> 40°F–140°F, 0% RH–99% RH (non-condensing)			
<b>Filter</b>	MERV 8, washable			
<b>Airflow</b>	External Static Pressure ("WC)	Airflow (CFM)	External Static Pressure ("WC)	Airflow (CFM)
	0.0	185	0.0	280
	0.2	135	0.2	245
	0.4	85	0.4	210
			0.6	175

**NOTE:** Rated capacity and current draw measured at 80°F/60% RH inlet conditions at 0.0 external static pressure.

## PREPARING THE UNIT FOR INSTALLATION

**IMPORTANT:** Cut the strap securing the compressor shipping support bracket and remove the strap and shipping bracket. *See Figure 8.*

1. Clip off and remove the plastic straps securing the compressor to the shipping bracket.
2. Remove the two screws securing the shipping bracket to the housing. Remove and discard the shipping bracket, and reinstall the two screws in the dehumidifier.

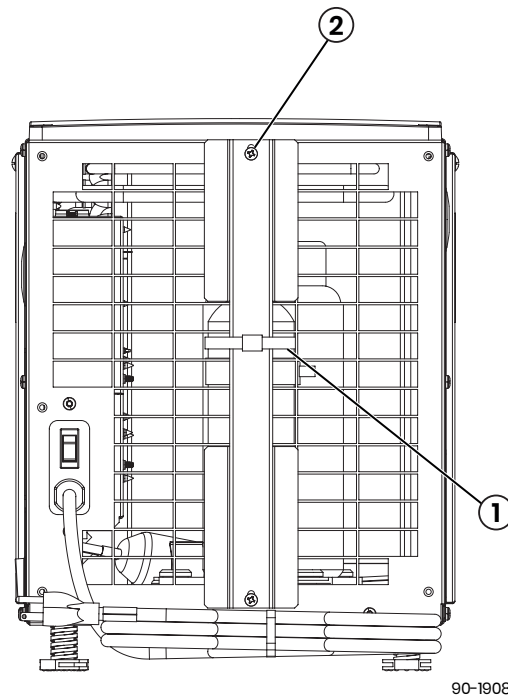


Figure 8: Preparing the Unit for Installation

- 1 - Clip Off Plastic Strap    2 - Remove Shipping Bracket

## REPOSITIONING THE CONTROL FOR THE APPLICATION

Locate the onboard control panel on the top of the dehumidifier or at the front of the dehumidifier if the control panel cannot be seen/accessed in the top orientation. It may also be rotated 180 degrees in either orientation (*see Figure 10*).

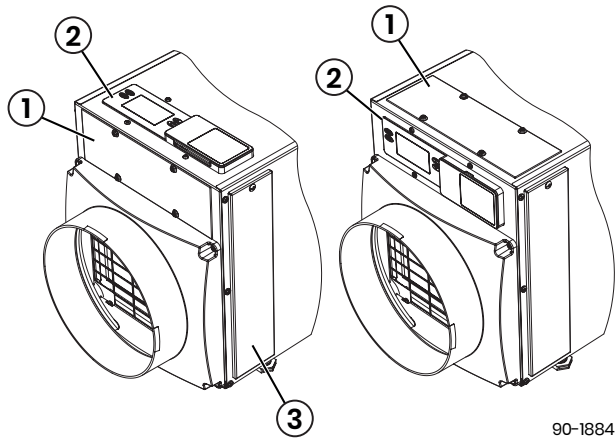


Figure 9: Control Panel Location

- 1 - Control Panel Door      3 - Filter Access Door  
2 - Control Panel

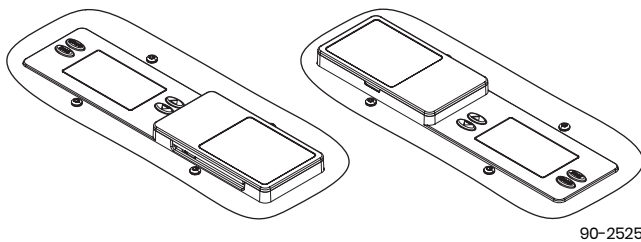


Figure 10: Control Panel Rotated 180 Degrees

## MOVING THE CONTROL

1. Remove the front control panel door.
2. Remove the filter access door and filter.
3. Detach the onboard control panel by removing the four (4) screws around the control panel.

**NOTE:** Use one hand to support the bottom of the onboard control panel when removing.

4. Keep the control panel in the unit and relocate to the front access hole.
5. Secure the control panel with the same four screws used to attach the control panel to the top of the unit.
6. Secure the control panel door to the top of the unit.

## INSTALLING THE DUCT COLLARS

- Use the screws in the parts bag to attach the duct collars to the inlet and outlet of the dehumidifier. The outlet collar has a backflow damper.
- The outlet duct collar may be attached to the top or end of the unit. Move the outlet cover to the location not being used. *See Figure 11.*
- Make sure there are no bends in the ductwork coming off the outlet for a minimum of 4". This precaution will ensure that the ductwork will not interfere with the backflow damper function.

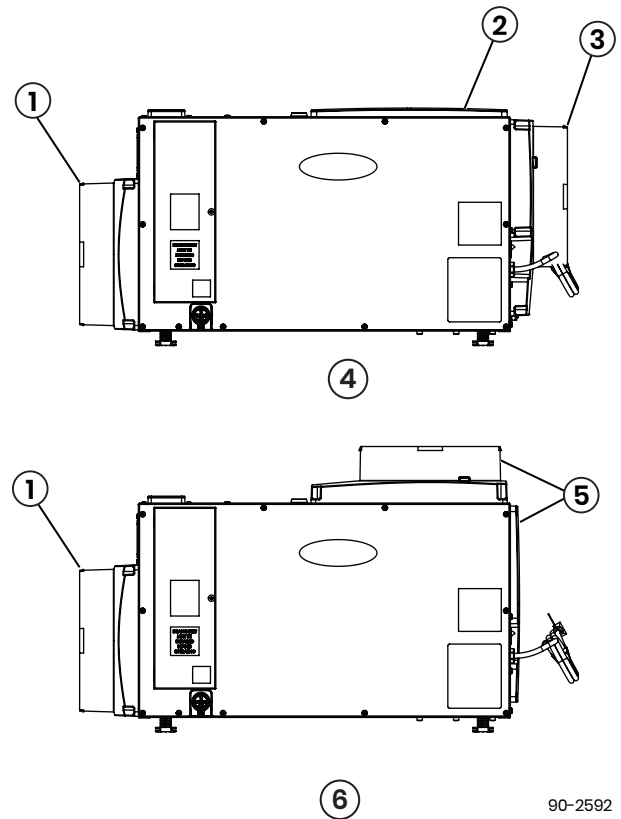


Figure 11: Fully Ducted Installations

- 1 - Inlet Duct Collar      4 - End Discharge  
2 - Outlet Cover      5 - Move Outlet Cover and Install Outlet Duct Collar to Top Discharge Location  
3 - Outlet Duct Collar w/ Back Draft Damper      6 - Top Discharge

## INSTALLING THE DEHUMIDIFIER

### DEHUMIDIFIER LOCATION

- Electrical service access and drain cleaning will require the removal of the electrical service side panel (*see Figure 12*). Allow sufficient space for service on this side of the unit.
- The filter can be removed from either side of the dehumidifier. Allow sufficient space for the filter to be removed and reinstalled.
- If locating the unit where it is not readily accessible (such as a crawl space, an attic or even a basement for some individuals), consider controls such as the Model 76 Dehumidifier Control, which can be mounted in the living space and wired to the dehumidifier.
- For attic installations, suspending the dehumidifier is recommended.
- Always install the dehumidifier in or above a condensate pan when locating in or above a finished space.

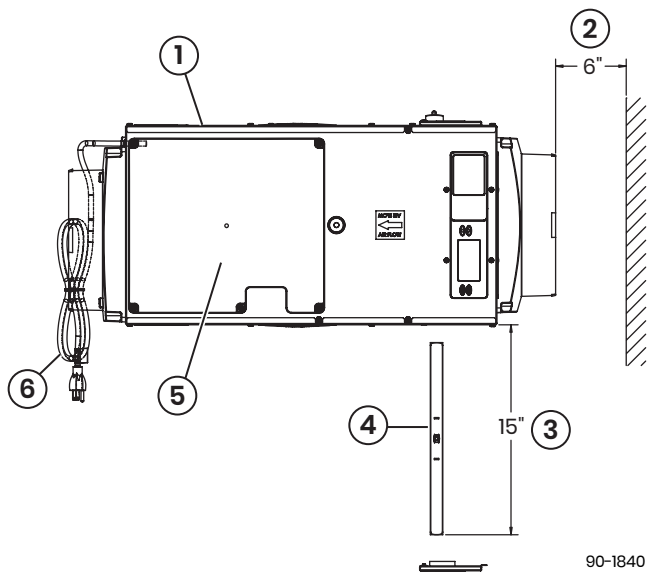


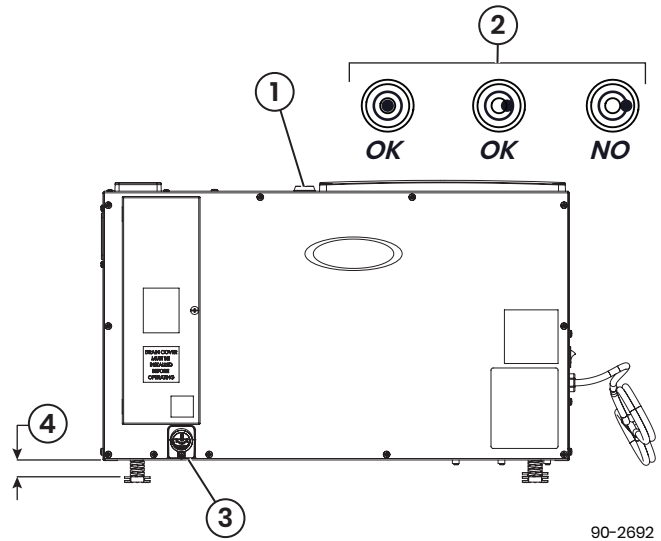
Figure 12: Filter Access Clearance

- |   |  |
|---|--|
| 1 - Electrical Service and Drain Access this Side | 3 - 15" Minimum Clearance for Filter (Either Side) |
| 2 - 6" Minimum Clearance for Proper Airflow       | 4 - Filter   |
|   | 5 - Top View                                       |
|   | 6 - 6' Power Cord                                  |

## LEVELING AND RAISING THE DEHUMIDIFIER

The feet can be adjusted to level the unit and accommodate drain fittings and condensate pans as required. Use the top-mounted bubble level to adjust the feet until the bubble is within the outer circle (*see Figure 13*). Leveling is required to ensure proper drainage from the dehumidifier.

If installing a condensate pump to the side of the unit more elevation than can be provided by the adjustable feet may be needed. Risers or hanging kits are available to lift the dehumidifier higher off the floor.



90-2692

Figure 13: Leveling the Unit

- |                         |                                    |
|-------------------------|------------------------------------|
| 1 - Bubble Level        | 3 - 3/4" Drain                     |
| 2 - Bubble Level Detail | 4 - 0.38" Minimum<br>2.00" Maximum |

## INSTALLING A CONDENSATE PAN UNDER THE DEHUMIDIFIER

**Always install the dehumidifier in or above a condensate pan when locating it above a finished space.** Adhere to local codes regarding draining of the condensate pan. If a condensate pump is needed, make sure it is in the condensate pan as well. Install a float switch in the condensate pan and/or use the overflow wires/terminals on the condensate pump to stop the dehumidifier should overflow occur. *See Wiring to a Float Switch on page 12.*



## INSTALLING THE DRAIN

### Using Hard Pipe:

- Install a 3/4" PVC slip x 3/4" MNPT PVC fitting to the dehumidifier and use 3/4" nominal PVC Schedule 40 pipe to run the condensate line to the nearest floor drain or to an outside location that slopes away from the building.
- Always maintain a constant downward slope in drain piping. Ensure that drain tubing does not interfere with removal of the side panel or filter door.
- **Do not use metal fittings and only hand-tighten threaded fittings.** PTFE thread seal tape is recommended for threaded connections.
- Install a tee or three-way elbow at the dehumidifier outlet with a small, capped vertical tube (do not cement cap in place) to allow for cleaner to be poured into the drain line (*see Figure 14*).
- PVC primer and cement is recommended for slip-fit connections (do not cement threaded connections).

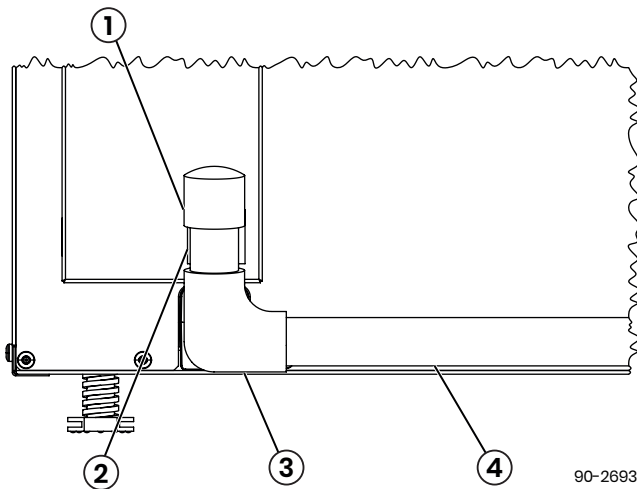


Figure 14: Capped Drain Access for Cleaning

- |                                    |  |
|------------------------------------|--|
| 1 - Cap                            | 3 - 3/4" 3-Way elbow<br>or Tee and Below |
| 2 - Small Section<br>of Drain Tube | 4 - Condensate<br>Drain Line             |

### Using Flexible Tubing:

- Install the provided 3/4" NPT x 3/4" hose barb fitting and use 3/4" flexible drain tubing. **Hand-tighten the fitting to the dehumidifier.** PTFE thread seal tape is recommended for threaded connections.
- Always maintain a constant downward slope from the dehumidifier to the nearest floor drain or condensate pump, and do not allow soft tubing to curl up, which may result in air lock.

## INSTALLING DUCTWORK

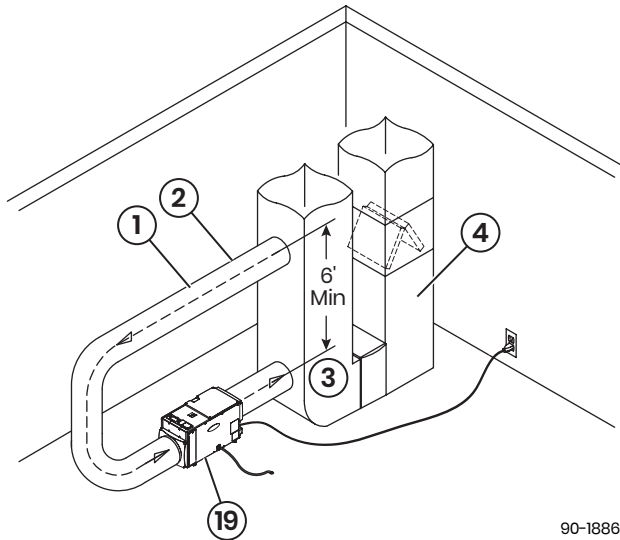
- Use insulated duct when the dehumidifier is located in an unconditioned space, such as an attic, garage or crawl space, or if connecting a fresh air duct to the dehumidifier ductwork.
- Use zip ties, mastic, and tape as needed to seal the duct connections to the dehumidifier and to seal the insulation sleeves to prevent condensation inside the ductwork.

Connecting the dehumidifier to your HVAC system will pull air to be dehumidified from the whole home and similarly will discharge air to the whole home. Make sure the duct system pressure the dehumidifier will have to operate against does not exceed 0.4" Water Column (WC) for Model E080 and 0.6" WC for Models E100/E100H. Measure the system pressure when the HVAC fan is operating at the highest airflow (speed) setting.

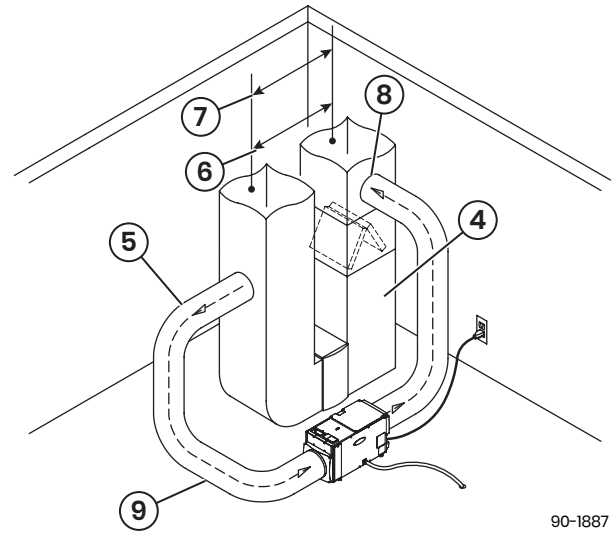
There are not always readily available locations on the HVAC duct system for connecting 10" ducts, and some local codes do not allow ducting to the return side of the HVAC system. If so, another option is to install just the discharge of the dehumidifier to the HVAC system or to use dedicated registers for both the inlet and discharge of the dehumidifier.

## DUCTING THE DEHUMIDIFIER INLET AND OUTLET TO THE HVAC SYSTEM

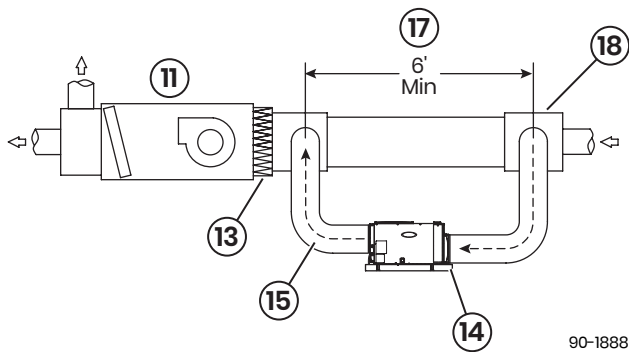
### Return-to-Return Basement Installation



### Return-to-Supply Basement Installation



### Return-to-Return Attic Installation



### Return-to-Supply Attic Installation

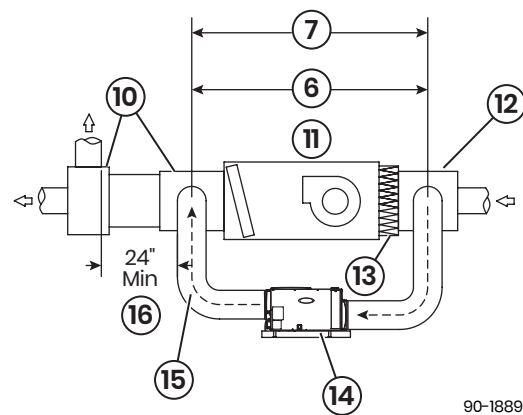


Figure 15: Four Installation Configurations

- 1 - Air is Pulled from the Main Return Duct and Discharged to the Main Return Duct
- 2 - 10" Duct
- 3 - 6' Minimum
- 4 - HVAC/Furnace
- 5 - Air is Pulled from the Main Return Duct
- 6 - Model E080 0.4" WC Maximum
- 7 - Model E100H 0.6" WC Maximum
- 8 - Air is Discharged to the Supply Duct
- 9 - 10" Duct

- 10 - Plenum Box
- 11 - Air Handler
- 12 - Plenum
- 13 - Filter
- 14 - Condensate Pan
- 15 - 10" Diameter Insulated Duct Both Sides
- 16 - 24" Minimum
- 17 - 6' Minimum
- 18 - Plenum Box or Y-Fitting
- 19 - Dehumidifier

- Use when both sides of the duct system are accessible (*see Figure 16*).
- When ducting from return to supply, the HVAC blower does not need to be running when the dehumidifier is running.
- When ducting return to supply, allow adequate space before the first branch duct to ensure the warm dehumidified air is thoroughly mixed with the HVAC system air.

- When ducting from return to return, wire the dehumidifier to the HVAC system as shown in *Figure 20* to ensure the HVAC blower runs when the dehumidifier is operating.
- Wire the dehumidifier to the HVAC system (*see Figure 20* for exact wiring) and set up the dehumidifier to be disabled when the AC is running.

## DUCTING THE DEHUMIDIFIER OUTLET TO THE HVAC SYSTEM WITH DEDICATED DEHUMIDIFIER INLET REGISTER

- To direct dehumidified air away from a potentially wet AC coil:
  - Duct to the supply side of the HVAC system for air handler applications where air is pulled through the AC coil (*see Figure 16*).

### Dedicated Return to Main Supply

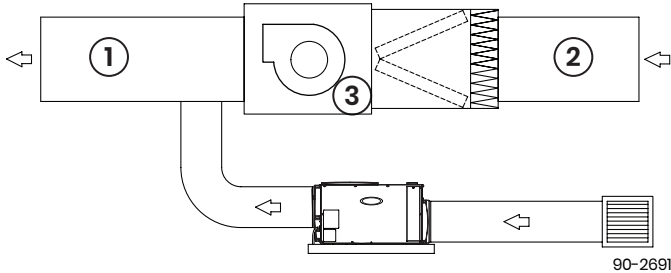


Figure 16: Discharge to Supply Side

- 1 - Supply
- 2 - Return
- 3 - HVAC Equipment

- Duct to the return side of the HVAC system for furnace applications where air is pushed through the AC coil. Check local codes to verify that ducting to the return side of the HVAC system is allowed (*see Figure 17*).

### Dedicated Return to Main Return

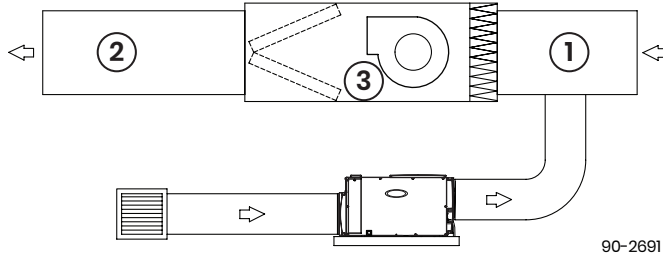


Figure 17: Discharge to Return Side

- 1 - Supply
- 2 - Return
- 3 - HVAC Equipment

- Wire the dehumidifier to the HVAC system as shown in *Figure 20* and set up the dehumidifier to be disabled when the AC is running.

Use dedicated registers to duct the dehumidifier to the whole home when HVAC system ductwork is unavailable or impractical (*see Figure 18*).

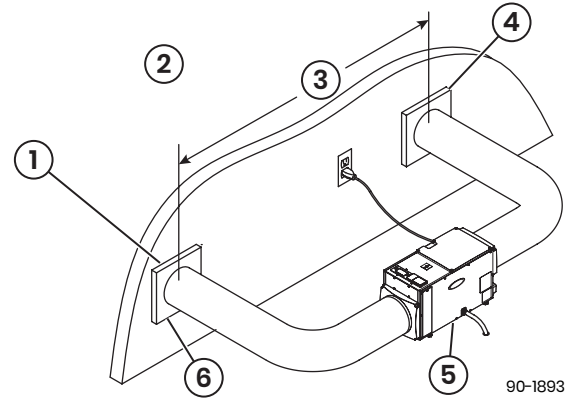


Figure 18: Stand-Alone Duct

- 1 - Air is Pulled from Ducted Space
- 2 - Dehumidified Space
- 3 - 10' Minimum
- 4 - Dehumidified Air is Supplied to Ducted Space
- 5 - Dehumidifier
- 6 - Grill with 10" Duct Collar (2 Places)

## WIRING

No additional wiring is needed unless:

- the dehumidifier is ducted to the HVAC system
- a separate, external control such as a thermostat or dehumidistat is to be used
- a float switch, either integral to a condensate pump or mounted to the condensate pan, is used

Use 18-22 AWG wire for any needed wiring. Access the dehumidifier wiring terminals by pulling off the wiring access cover near the dehumidifier control display (*see Figure 19*). Snap the wiring access cover back into place after completing all wiring.

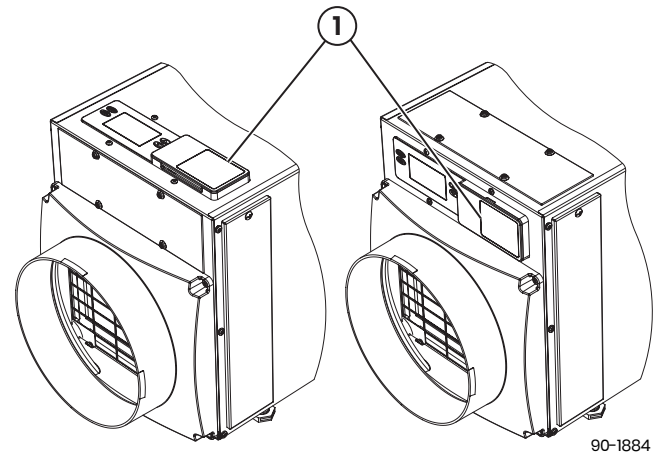


Figure 19: Wiring Access Cover Location

- 1 - Wiring Access Cover

## WIRING TO THE HVAC SYSTEM

When the dehumidifier is ducted to the HVAC system, it is recommended that it also be wired to the HVAC system as shown in **Figure 20**. If ducted to the HVAC system in a return-to-return configuration, the dehumidifier **must** be wired to the HVAC system to prevent short-circuiting dehumidified air directly back to the dehumidifier inlet. In a return-to-supply ducting configuration, running the HVAC fan with the dehumidifier ensures the warm dry air is mixed with room air before being discharged to the home.

### OPTIONAL W & Y WIRING

Wire the W and/or Y terminal to the HVAC system when using the ventilation feature of the dehumidifier. **See Ventilation on page 13.**

Wire the dehumidifier Y terminal to the HVAC system to disable the dehumidifier compressor from operating when the air conditioning is running. **See Allowing DEH W/AC on page 16** for additional setup steps required to access this feature.

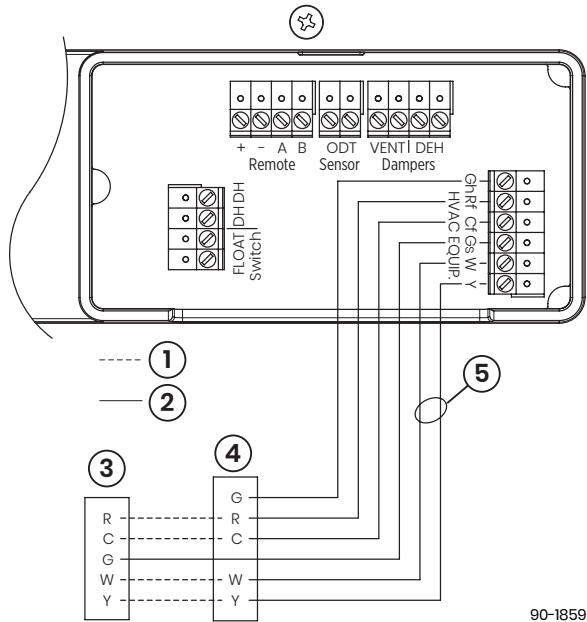


Figure 20: Wiring to HVAC System

- 1 - Existing Wire
- 2 - New Wire
- 3 - Thermostat or Zone Control Board
- 4 - HVAC Equipment
- 5 - Optional Wires

## WIRING TO EXTERNAL OR REMOTE CONTROLS

The dehumidifier can be wired to an **external control** that senses the humidity in the living space, such as an AprilAire Thermostat or the Model 76 Dehumidifier Control. This is most often done when the **dehumidifier is ducted to the HVAC system** and is located in a hard-to-reach location such as an attic or basement.

The Model 76, when used as a **remote control**, allows the user to see the humidity sensed by the dehumidifier and adjust the dehumidifier setting from a remote location. This is most often used when the **dehumidifier is not ducted to the HVAC system** and serves a hard-to-reach location such as a crawl space or basement.

If using an **external control**, wire to the DH terminals of the dehumidifier (**see Figure 21**). Most external controls use a normally open switch that closes with a dehumidification demand, in which case leave the NC/NO switch in the NO position. For controls that use a normally closed switch, put the NC/NO switch in the NC position. If using the AprilAire Model 76 as a **remote control**, wire to the {+ - A B} terminals. Refer to the installation instructions for the control being used for wiring details.

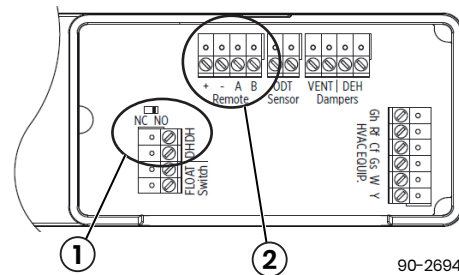


Figure 21: Wiring to an External or Remote Control

- 1 - Use for External Control Applications
- 2 - Use for Remote Control Applications

## WIRING TO A FLOAT SWITCH

Use only if the installation includes a float switch or a condensate pump. The dehumidifier leaves the factory with a jumper wire installed in the float switch terminals. Remove the jumper and wire the float switch terminals to the float switch or condensate pump overflow switch as shown in **Figure 22**.

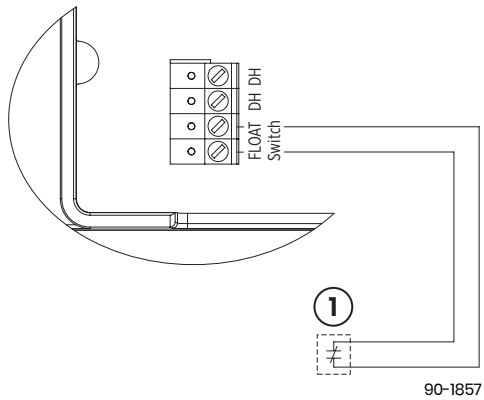


Figure 22: Float Switch Wiring

- 1 - Normal Closed Float Switch

## VENTILATION

The dehumidifier can activate a normally closed damper to bring in outdoor air through a fresh air intake duct. This feature cannot be used when a Model 76 has been installed in a remote control application and should not be used in two-zone installations.

1. Install the Fresh Air Inlet (FAI) duct and damper as shown in **Figure 23** and **Figure 24**.

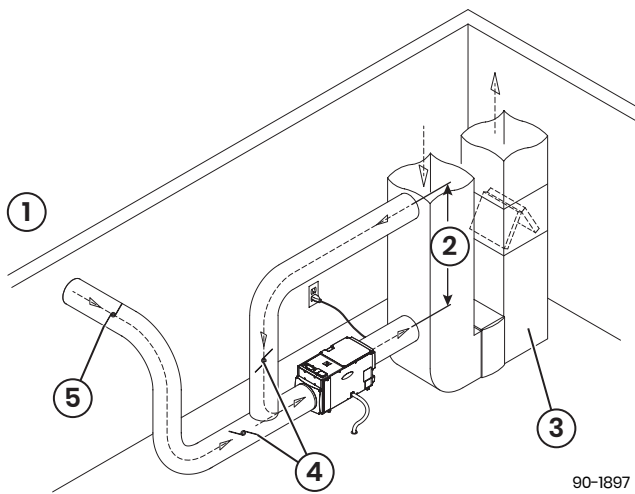


Figure 23: Onboard Control Ventilation Installation

- 1 - Air is Pulled from Outside
- 2 - 6' Minimum
- 3 - HVAC/Furnace
- 4 - Balancing Dampers
- 5 - Normally Closed Vent Damper

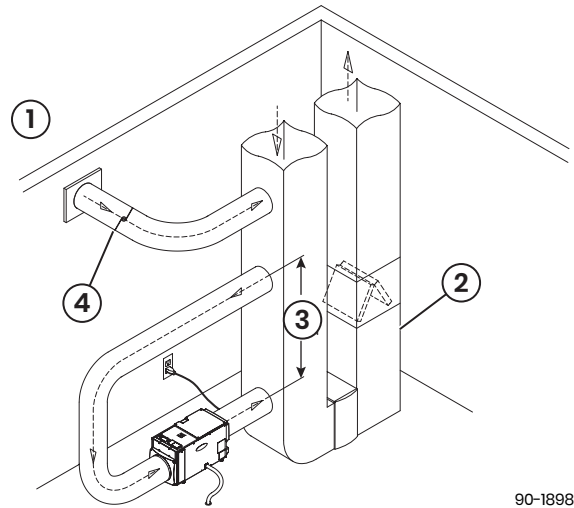


Figure 24: External Control Ventilation Installation

- 1 - Air is Pulled from Outside
- 2 - HVAC/Furnace
- 3 - 6' Minimum
- 4 - Normally Closed Vent Damper

2. Install the Outdoor Temperature Sensor (ODT) as shown in **Figure 25** and **Figure 26** – only needed if ventilation will be limited during high or low outdoor temperature conditions.

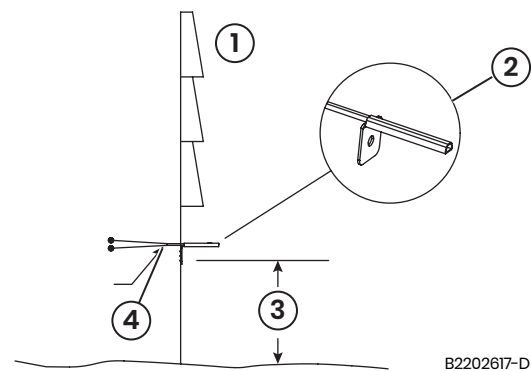
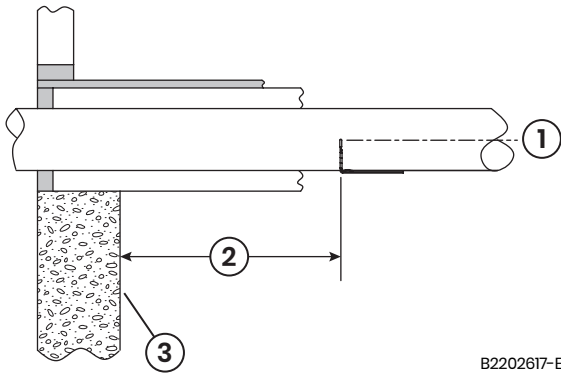


Figure 25: ODT Mounted Outside

- 1 - North, East or West Side of Home
- 2 - Outdoor Temperature Sensor
- 3 - Above Expected Snow Line
- 4 - Outdoor Temperature Sensor Leads

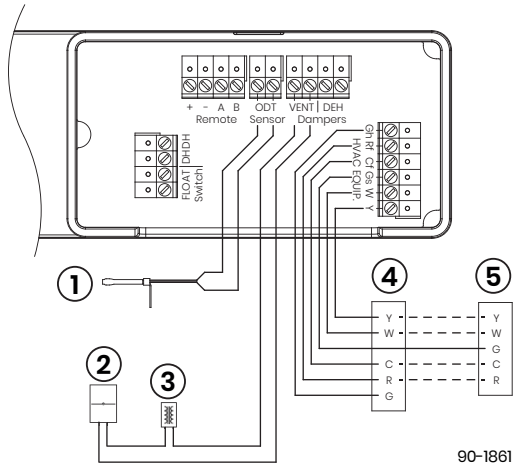


B2202617-E

Figure 26: ODT Mounted in Intake Duct

- 1 - Center Line
- 2 - 36" Maximum
- 3 - Outside Wall

3. Wire the FAI damper, HVAC equipment and outdoor temperature sensor to the dehumidifier control as shown in **Figure 27**.



90-1861

Figure 27: Ventilation Wiring

- 1 - Optional Outdoor Temperature Sensor (Model 8052)
- 2 - 6" Normally Closed Damper or 8190FF
- 3 - 24 VAC (10 VA MIN) Transformer (E100V: Use external 24V port)
- 4 - HVAC Equipment
- 5 - Thermostat or Zone Control Board

4. Use the setup menu to ENABLE ventilation:

- a. Enter the installer setup menu (**see page 15**).
- b. Press the Mode button until the words VENT DISABLE appear.
- c. Press the ▲ or ▼ button to change to VENT ENABLE.

- d. Press the Mode button and the words VENT TIMED will appear. Press the ▲ or ▼ button to set temperature limits:
  - **TIMED:** no temperature limits
  - **AUTO – B:** Ventilation is not allowed if the ODT > 100°F or ODT < 0°F; ventilation is allowed only when the heat is on if the ODT is between 0°F and 20°F
  - **AUTO – C:** Ventilation is not allowed if the ODT > 100°F or ODT < 0°F
  - **AUTO – D:** Ventilation is not allowed if the ODT > 90°F; ventilation is allowed only when the heat is on if the ODT is between 0°F and 40°F
- e. Press the Mode button and then use the ▲ or ▼ button to set the ventilation time (minutes/hour).
- f. Press the Mode button repeatedly until the word DONE appears on the display.

Whenever the heating, cooling or dehumidifier is turned on, the ventilation damper will open and bring in outdoor air. If the equipment doesn't run for the set number of minutes, the dehumidifier will turn on the HVAC fan at the end of the hour to ensure ventilation needs are met.

## ZONING THE DEHUMIDIFIER

The dehumidifier can be configured to condition two independent spaces. Zoning requires the installation of ductwork and dampers to direct air to and from two locations. Scan the QR code for details on zoning the installation.

**NOTE:** Dehumidifier zoning is not recommended in HVAC zoning applications.

In this installation the dehumidifier controls the humidity in two separate zones, a Primary and Secondary Zone. The dehumidifier will dehumidify the Primary Zone as the first priority and will switch to the Secondary Zone after the dehumidification needs of the Primary Zone have been satisfied.

**IMPORTANT:** Normally Closed dampers must be installed in the ducts serving the Primary Zone and Normally Open dampers installed in the ducts serving the Secondary Zone.

## REQUIRED COMPONENTS

- 10" ductwork and fittings
- Grilles with 10" duct collars
- Drain line
- 2 – AprilAire Model 6510, 10" Normally Closed damper
- 2 – AprilAire Model 6610, 10" Normally Open damper
- 24 VAC transformer (40 VA min.) for dampers

**NOTE:** 5442 Basement Kit includes 2 – 6510 Dampers, 2 – 6610 Dampers and a 24 VAC (40 VA) transformer.



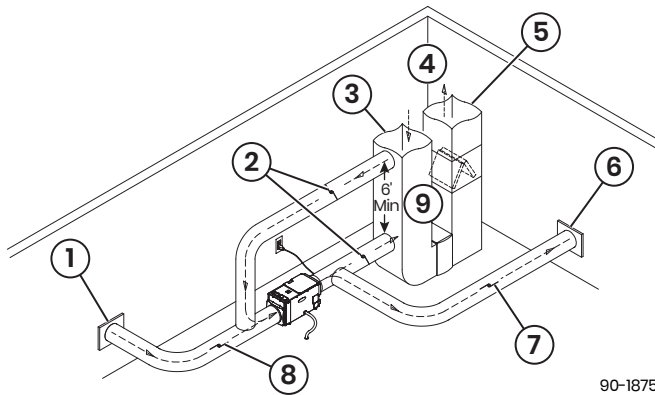


Figure 28: Whole-Home Primary Zone Installation

- |                                |                              |
|--------------------------------|------------------------------|
| 1 - Return from Secondary Zone | 6 - Supply to Secondary Zone |
| 2 - Normally Closed Dampers    | 7 - Normally Open Damper     |
| 3 - Return Duct                | 8 - Normally Open Damper     |
| 4 - To/From Primary Zone       | 9 - 6' Minimum               |
| 5 - Supply Duct                |                              |

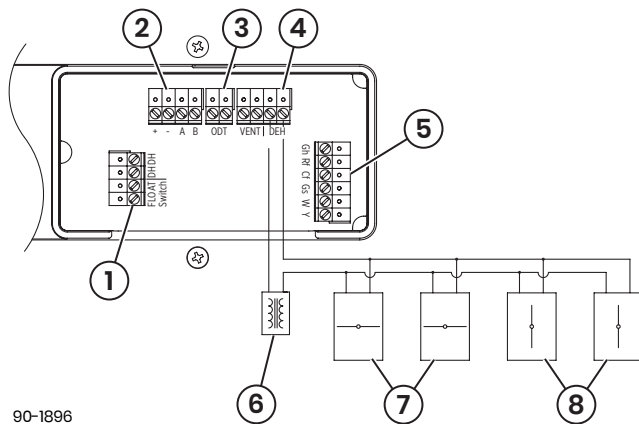


Figure 29: Two-Zone Wiring On-Board Control

- |                    |                                    |
|--------------------|------------------------------------|
| 1 - FLOAT Switch   | 6 - 24 VAC (40 VA Min.)            |
| 2 - Remote         | 7 - Normally Closed (Primary Zone) |
| 3 - Sensor         | 8 - Normally Open (Secondary Zone) |
| 4 - Dampers        |                                    |
| 5 - HVAC Equipment |                                    |

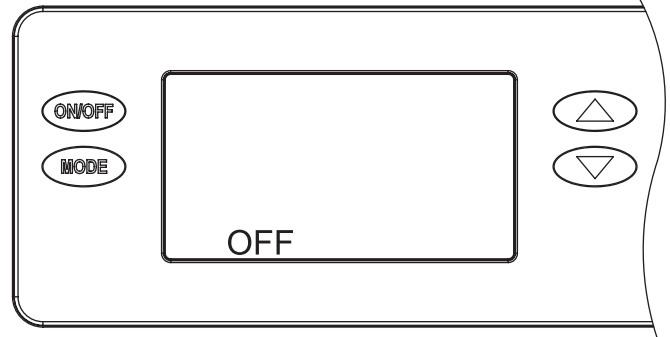
**NOTE:** Dehumidifier zoning is not recommended in HVAC zoning applications.

## INSTALLER SETUP

Enter the setup menu if:

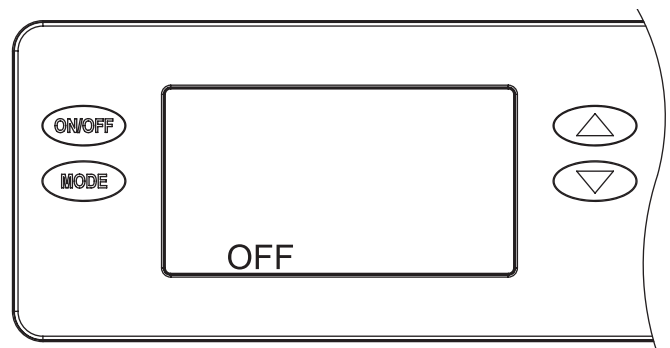
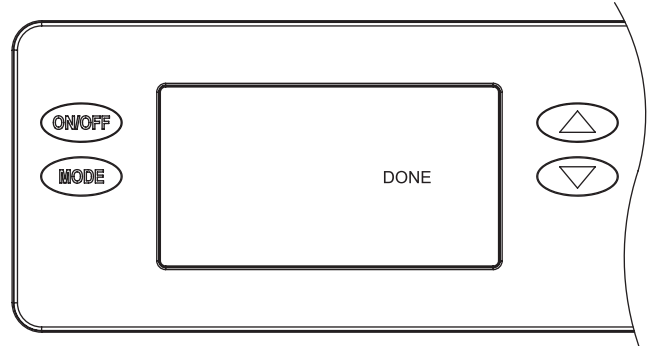
- the dehumidifier is ducted to the HVAC system
- an external or remote control will be used
- ventilation or zoning will be used

1. Plug unit in and turn power switch ON.
2. The onboard control screen should display **OFF**. If not OFF, press the ON/OFF button to turn the unit OFF.



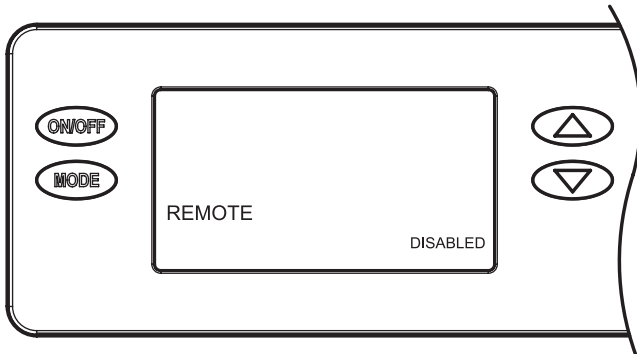
**NOTE:** If the display backlight is not on, the first button press (any button) will only turn on the backlight. Press the button a second time to achieve function.

3. Hold the MODE button on the onboard control for 3 seconds to enter the installer setup menu.
4. Navigate through the following screens to set up the dehumidifier for the installed application.
5. Use the ▲ or ▼ button to select items and use the MODE button to switch to the next setup option. To exit the installer setup, scroll through all options using the MODE button.
6. After the installer setup options have been completed, the word **DONE** will blink for 3 seconds and the control will return to the **OFF** screen.



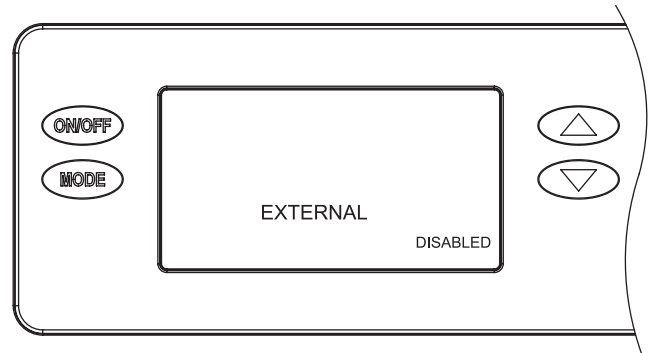
## SETTING UP REMOTE CONTROL – CRAWL SPACE/SEALED ATTIC

If wiring to a Model 76 for remote control (*see page 17* for details) press the ▲ or ▼ button to **ENABLE**.



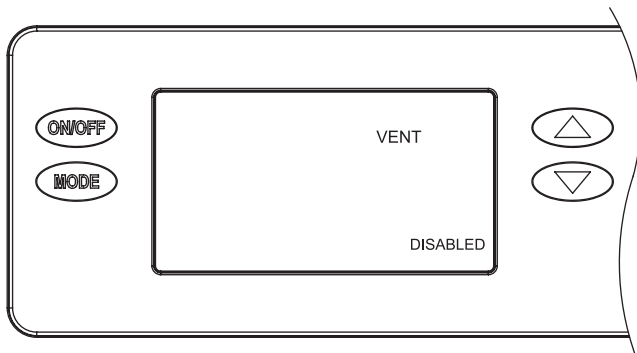
## SETTING UP EXTERNAL CONTROL

If wiring to an external control (*see page 12* for details) press the ▲ or ▼ button to **ENABLE**.



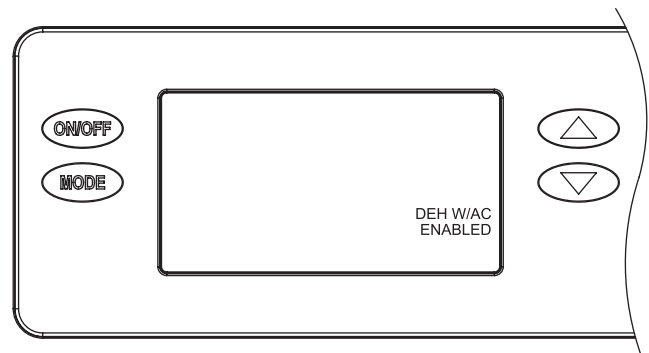
## SETTING UP VENTILATION

*See page 13* for details if using the dehumidifier for ventilation.



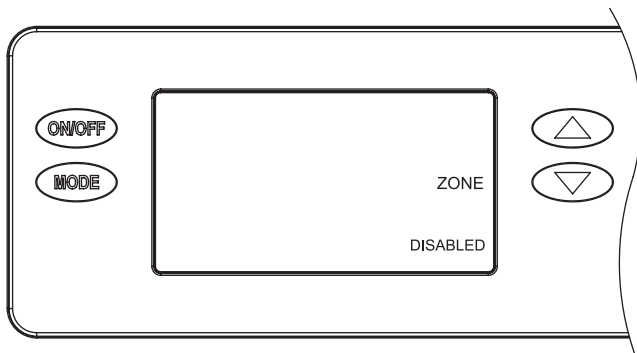
## ALLOWING DEH W/AC

To allow dehumidification during active air conditioning, select **ENABLED** and press the MODE button.

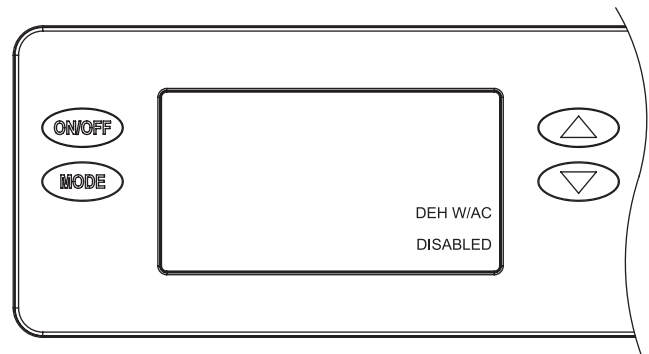


## SETTING UP ZONING

*See page 14* if zoning the dehumidifier.

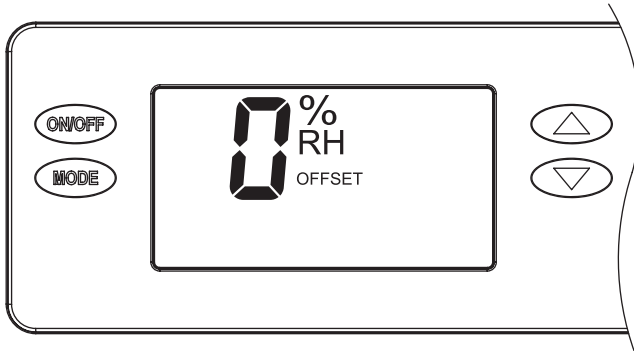


To disable dehumidification when the air conditioning is on, on select **DISABLED** and press the MODE button.



## APPLYING AN RH OFFSET

An offset can be applied to the onboard humidity reading to avoid discrepancies with other humidity-measuring devices in the home. Use the ▲ or ▼ button to select an offset from -5% to 5%. Press the MODE button to exit the installer setup screens.



## STARTING UP THE UNIT AND SEQUENCE OF OPERATION

Use the ON/OFF Power Switch near the power cord to apply power to the dehumidifier.

### USING THE DEHUMIDIFIER CONTROL ONLY

1. Press the ON/OFF Button to turn the dehumidifier control ON. The display will show the current humidity setting, and the dehumidifier blower and HVAC blower (if wired to the HVAC system) will turn on to start sampling.

The setting will be replaced by the measured humidity and the words AIR SAMPLING appear on the display.

2. Use the ▲ or ▼ button to adjust the humidity setting as desired. The recommended initial setting is between 55% and 59%.
3. After three (3) minutes of sampling, the measured humidity will be compared to the setting:
  - a. If the humidity is above the setting, the dehumidifier compressor turns on and the words AIR SAMPLING will be replaced by the word DEHUMIDIFYING. The compressor remains on until the measured humidity falls 3% RH below the setting.
  - b. If the measured humidity is below the setting, the blowers turn off and the display returns to showing the RH setting.
4. The dehumidifier will sample again every 60 minutes, or at any time if the humidity setting is lowered.

## USING A MODEL 76 AS A REMOTE CONTROL

1. Press the ON/OFF Button to turn the dehumidifier control ON. The display will show the word REMOTE to indicate that a remote control is to be used to control the dehumidifier.
2. At the Model 76, press the ON button; the Model 76 will display the RH measured at the dehumidifier, and the dehumidifier blower will turn on to start sampling the air.
3. Use the ▲ or ▼ button on the Model 76 to adjust the dryness level as desired. The dryness levels range from 1 to 7, with 1 being least dry and 7 being most dry; the recommended initial setting is 3.
4. After three (3) minutes of sampling, the measured humidity will be compared to the setting:
  - a. If the humidity is above the setting, the dehumidifier compressor turns on and the word ON flashes on the Model 76 display.
  - b. If the measured humidity is below the setting, the dehumidifier blower turns off.
5. The dehumidifier will sample again every 60 minutes, or at any time if the dryness level is increased.

### USING AN EXTERNAL CONTROL

1. Press the ON/OFF Button to turn the dehumidifier control ON. The display will show the word EXTERNAL to indicate that an external control is to be used to control the dehumidifier.
2. At the external control, initiate a dehumidification demand. Refer to the literature provided with the external control. The dehumidifier fan and compressor, and the HVAC fan (if wired to do so) will turn on and the word DEHUMIDIFYING will appear on the display of the dehumidifier.

**NOTE:** When using an external control, there is a three-minute delay after power-up (i.e., ON/OFF Power Switch is turned ON with unit plugged in) before the dehumidifier will respond to an external control. This prevents unanticipated, early start-up after power is applied.

3. Discontinue the demand at the external control; the dehumidifier and HVAC fan will turn off.

### TWO-ZONE OPERATION

The Primary Zone operates as listed for using the dehumidifier control or an external control. "PRIMARY ZONE" shows on the display when operating.

The Secondary Zone uses the humidity setting on the dehumidifier control. During Secondary Zone operation, the installed dampers are de-energized and the HVAC blower (if on) stops. "SECONDARY ZONE" shows on the display when operating.

The Secondary Zone is sampled immediately after the Primary Zone has finished sampling, or if there is a call for dehumidification from the Primary Zone,

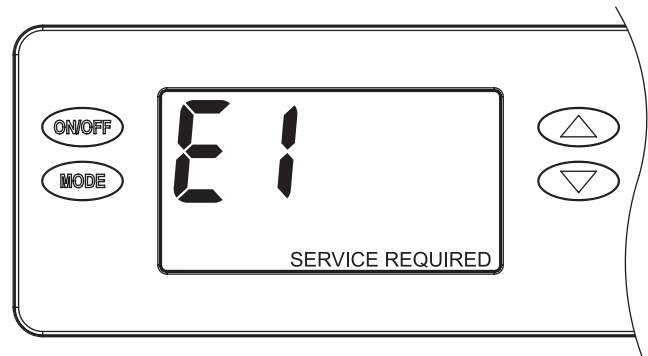
immediately after the call has been satisfied. When an external control is installed, the Secondary Zone will be sampled once per hour if there has not been a call for dehumidification from the Primary Zone.

## DIAGNOSTIC CODES

When an error occurs, the Diagnostic Code along with **SERVICE REQUIRED** will be displayed on the control screen.

## TROUBLESHOOTING

Technical support is available Monday through Friday 7:00 a.m. to 5:00 p.m. CST at (800) 334-6011. Use the guides on the following pages to identify and correct system faults. Contact Technical Support before replacing the unit or any components and for additional troubleshooting.



**Table 1:** Diagnostic Codes

Diagnostic Code	Failure Mode	Action	Reset
E1	Internal Humidity or Temperature Sensor Open or Shorted	<ol style="list-style-type: none"> <li>1. Cycle power to clear error code.</li> <li>2. If error code reoccurs, replace User Interface, Part No. 5445.</li> </ol>	Cycle Power
E2	High Refrigeration Pressure	<ol style="list-style-type: none"> <li>1. Verify that the fan works, the backflow damper swings freely, and there is no blocked or restricted ductwork.</li> <li>2. If the fault persists, call Technical Support.</li> </ol>	Cycle Power
E3	Model 76 Remote Control Communication Loss	<ol style="list-style-type: none"> <li>1. Check connections between Model 76 and dehumidifier control board. Terminals should be fully inserted and secured in the control board and Model 76 control terminals.</li> <li>2. If connections are correct and secure, turn off the dehumidifier and remove the Model 76. Use a short section of 4-wire cable to reconnect the Model 76 to the control board. Turn the dehumidifier back on and increase the dryness level setting on the Model 76. If the dehumidifier turns on, a problem exists with the wiring between the dehumidifier and control.</li> <li>3. If the dehumidifier does not turn on, call Technical Support.</li> </ol>	Self-Correcting
E4	Insufficient Capacity	<ol style="list-style-type: none"> <li>1. Check the frost sensor connection at the power board. The terminal should be fully seated on the power board pins.</li> <li>2. Remove the side access panel and verify that the sensor is secured to the suction line.</li> <li>3. If the sensor is connected and secured to the refrigeration line, proceed to the next step.</li> <li>4. Reset the fault by cycling power to the dehumidifier.</li> <li>5. Turn the humidity setting down (below room/home humidity level) to make a dehumidification call.</li> </ol>	Cycle Power

**Table 1:** Diagnostic Codes

Diagnostic Code	Failure Mode	Action	Reset
E4	Insufficient Capacity	<p>6. Allow the fan and compressor to run for approximately 10-15 minutes and then enter diagnostic test mode by simultaneously pressing the ▲ button and MODE button for 3 seconds. The LCD will display:</p> <ul style="list-style-type: none"> <li>the temperature measured by the internal sensor while also displaying the words <b>AIR SAMPLING</b> and <b>ON</b></li> <li>the humidity measured by the internal sensor while also displaying <b>%RH</b> and the word <b>ON</b></li> <li>the frost sensor temperature while also displaying the word <b>ON</b></li> </ul> <p>Scroll through these values and by using the ▲ or ▼ button.</p> <p>7. Record values and call Technical Support.</p>	Cycle Power
E5	High Temperature Thermistor Failure	<p>Check the high temperature sensor connection at the power board. The terminal should be fully seated on the power board pins.</p> <p>Remove the side access panel and verify the sensor is not damaged and connected to the refrigeration line coming from the compressor.</p> <p>If the sensor is connected and secured to the refrigeration line, it may need to be replaced with Part No. 5456 – contact Technical Support to confirm.</p>	Cycle Power
E6	Low Temperature Thermistor Failure	<p>Check the low temperature sensor connection at the power board.</p> <p>Remove the side access panel and verify the sensor is not damaged and connected to the suction line.</p> <p>If the sensor is connected and secured to the refrigeration line, it may need to be replaced with Part No. 5455 – contact Technical Support to confirm.</p>	Cycle Power
E7	Float Switch Open	<p>Empty the condensate pan.</p> <p>Check the float switch connection at the control board.</p> <p>If not using a float switch, verify jumper is between float switch terminals on dehumidifier control board.</p> <p>If the problem persists, replace the float switch.</p>	Self-Correcting
E8	Inlet Air Temperature Out of 50°F–104°F Range, or Dew Point Below 40°F	<ol style="list-style-type: none"> <li>Verify all ductwork is properly sealed.</li> <li>Check for air leakage that might affect the temperature or RH of the incoming air.</li> <li>If the air temperature is in range and the dew point is above 40°F, contact Technical Support.</li> </ol>	Self-Correcting
E9	Outdoor Temperature Sensor Open or Shorted	<ol style="list-style-type: none"> <li>Check the sensor connection at the power board.</li> <li>Remove the wires from the terminals and measure the resistance. A short circuit will have a resistance very close to 0 Ohms and an open circuit will have a very high resistance. Use the Ohms chart on <b>page 21</b> to approximate the resistance based on outdoor temperature.</li> <li>If the sensor is not reading correctly, replace the sensor, Part No. 8052.</li> </ol>	Self-Correcting

Outdoor Temperature	Resistance
0°F	84,500 Ohms
20°F	46,000 Ohms
40°F	26,000 Ohms
60°F	15,500 Ohms
80°F	9,500 Ohms
100°F	6,000 Ohms

**Table 2:** Troubleshooting Guide

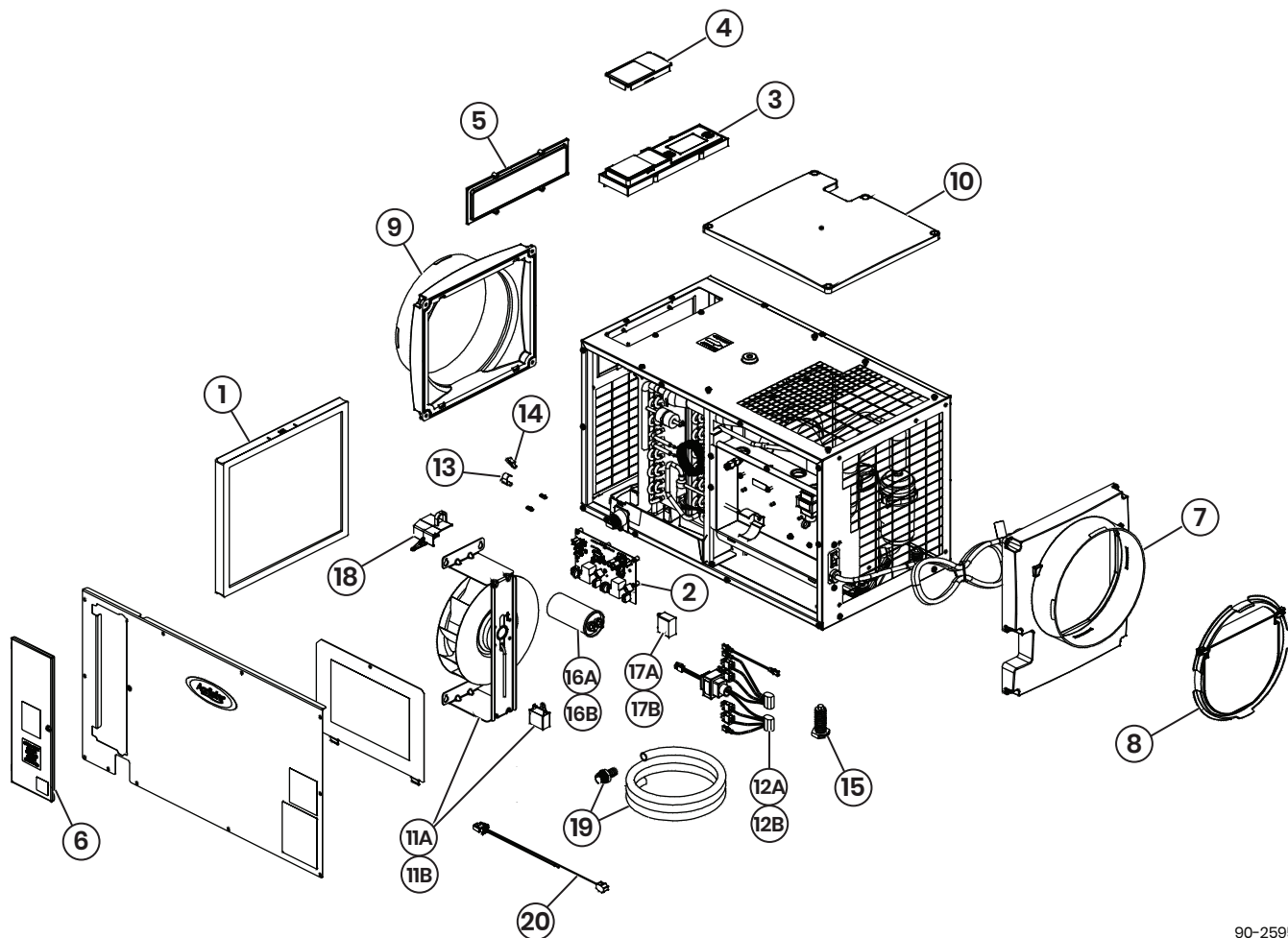
Symptom	Possible Reason	Troubleshooting Procedure
Dehumidifier does not turn on/run.	No power to unit.	<ul style="list-style-type: none"> <li>Check that the dehumidifier is plugged in.</li> <li>Check that the power switch is turned ON.</li> <li>Check that the control is turned ON.</li> <li>Check that the circuit breaker has not tripped.</li> </ul>
Dehumidifier blower is running but with little or no airflow.	Pressure drop across dehumidifier is higher than 0.4" WC for Model E080 or 0.6" WC for Model E100/E100H.	<ul style="list-style-type: none"> <li>Check dehumidifier air filter and wash or replace.</li> <li>Check for blocked ductwork and clear.</li> <li>Verify that the outlet collar with backflow damper is installed on the outlet side of the dehumidifier.</li> <li>Check if backflow damper is blocked or stuck and remove obstruction.</li> </ul>
Dehumidifier blower is running but compressor is not.	Float Switch open (E7 appears on display).	<ul style="list-style-type: none"> <li>If float switch is installed, check connections at control board and empty the condensate pan.</li> <li>If no float switch is installed, check that the jumper is installed at the float switch terminals on the control board.</li> </ul>
	Unit is defrosting.	<ul style="list-style-type: none"> <li>Frosting occurs when the incoming air is cool and dry, normally during Spring or Fall, or the airflow is restricted. Frosting due to cold/dry conditions is a normal part of operation and "DEFROSTING" will show on the display. If it is not cool and dry, look for blocked ductwork or a dirty filter.</li> </ul>
	Inlet air temperature is outside of the 50°F–104°F range or the dew point is below 40°F and there is a demand for dehumidification.	<ul style="list-style-type: none"> <li>Verify all ductwork is properly sealed. Dehumidification will restart by itself when the incoming air temperature is within range and the dew point is above 40°F. E8 appears on the display when inlet air conditions prevent operation.</li> </ul>
When zoned, the dehumidifier damper does not open in INSTALLER TEST mode.	Incorrect damper wiring or bad connection.	<ul style="list-style-type: none"> <li>Verify wiring between dampers and 24 VAC transformer.</li> <li>If wired for Two Zone operation, verify that 24 VAC transformer is 40 VA minimum.</li> <li>Check all wiring connections between dampers and control board.</li> <li>Verify the normally closed dampers are in the Primary Zone ductwork and the normally open dampers are in the Secondary Zone ductwork.</li> </ul>



**Table 2:** Troubleshooting Guide (Continued)

Symptom	Possible Reason	Troubleshooting Procedure															
The ventilation damper does not open when the HVAC fan is active.	Cycle time has been met.	<ul style="list-style-type: none"> <li>The damper will not open if the ventilation time has already been met.</li> </ul>															
	ODT error or outdoor air outside of ODT range.	<ul style="list-style-type: none"> <li>Check that the ODT is wired correctly to the dehumidifier control board and connections are secure.</li> <li>Check that the ODT is installed in the outdoor air intake according to the setup specified in <b>VENTILATION ON PAGE 13</b>.</li> <li>Remove the ODT leads from the dehumidifier control board and check the resistance. Compare the reading with the chart on the right.</li> </ul>	<table border="1"> <thead> <tr> <th data-bbox="1154 296 1344 369">Outdoor Temperature</th> <th data-bbox="1344 296 1520 369">Resistance</th> </tr> </thead> <tbody> <tr> <td data-bbox="1154 369 1344 449">0°F</td> <td data-bbox="1344 369 1520 449">84,500 Ohms</td> </tr> <tr> <td data-bbox="1154 449 1344 529">20°F</td> <td data-bbox="1344 449 1520 529">46,000 Ohms</td> </tr> <tr> <td data-bbox="1154 529 1344 609">40°F</td> <td data-bbox="1344 529 1520 609">26,000 Ohms</td> </tr> <tr> <td data-bbox="1154 609 1344 688">60°F</td> <td data-bbox="1344 609 1520 688">15,500 Ohms</td> </tr> <tr> <td data-bbox="1154 688 1344 768">80°F</td> <td data-bbox="1344 688 1520 768">9,500 Ohms</td> </tr> <tr> <td data-bbox="1154 768 1344 779">100°F</td> <td data-bbox="1344 768 1520 779">6,000 Ohms</td> </tr> </tbody> </table>		Outdoor Temperature	Resistance	0°F	84,500 Ohms	20°F	46,000 Ohms	40°F	26,000 Ohms	60°F	15,500 Ohms	80°F	9,500 Ohms	100°F
Outdoor Temperature	Resistance																
0°F	84,500 Ohms																
20°F	46,000 Ohms																
40°F	26,000 Ohms																
60°F	15,500 Ohms																
80°F	9,500 Ohms																
100°F	6,000 Ohms																
Dehumidifier is not draining properly.	Drain line blocked or unit not level.	<ul style="list-style-type: none"> <li>Verify that the unit is level.</li> <li>Check the drain line blockages and check for a continuous downward slope.</li> <li>Verify presence and condition of drain cover insert. <b>See Maintenance on page 4</b> for cleaning procedure, or replace with Part No. 5885 if missing or damaged.</li> </ul>															
The HVAC fan turns on unexpectedly.	Dehumidifier is sampling or ventilation in progress.	<ul style="list-style-type: none"> <li>The dehumidifier will turn on the HVAC fan during air sampling or as needed to meet the ventilation time.</li> </ul>															
Dehumidifier is producing hot air.	Normal function.	<ul style="list-style-type: none"> <li>Air is reheated across the condenser coil, resulting in a temperature rise between inlet and outlet.</li> </ul>															

# SERVICE PARTS



90-2595

No.	Part Description	Part No.
1	EZK Filter, 13.5" x 11.875" x 0.875"	5881
2	Internal Control Board, Deh	5444
3	User Interface Assembly, Deh	5445
4	Wiring Access Door, AA Deh	5446
5	Hole Cover, UI Ctrl, Deh	5447
6	Door, Filter Access, AA Deh	5882
7	Outlet Duct Panel, Deh	5449
8	Backflow Damper, 10", Deh	5450
9	Inlet Duct Panel, AA Deh	5451
10	Cover, Outlet, AA Deh	5452
11	Fan, 80pt Deh, with 6MFD Capacitor	5883
	Fan, 100pt Deh, with 12MFD Capacitor	5886
12	Wire Harness, Power, Deh	5884
	Wire Harness, Power, Deh w/ Vent*	5888

No.	Part Description	Part No.
13	Sensor, Low Temperature, Deh	5455
14	Sensor, High Temperature, Deh	5456
15	Leveling Foot, Deh	5457
16	Capacitor, Run, 50µF	5594
	Capacitor, 6MFD, 250VAC, 80pt Deh	5582
17	Capacitor, 12MFD, 450VAC, 100pt Deh	5468
18	Drain Insert	5885
19	Drain Tube + Fitting	5692
20	8190FF/EI100V Internal Wiring Harnesses	5914
<b>Not Shown</b>		
	8190FF/EI100V External Wiring Harnesses	5887

## LIMITED WARRANTY

Your AprilAire® Dehumidifier is expressly warranted for five (5) years from date of installation to be free from defects in materials or workmanship.

The exclusive obligation of AprilAire under this warranty shall be to supply, without charge, a replacement for any component which is found to be defective within such five (5) year period and which is returned not later than thirty (30) days after said five (5) year period by you to either your original supplier or to AprilAire, Madison, Wisconsin 53701, together with the model number and installation date of the dehumidifier.

THIS WARRANTY SHALL NOT OBLIGATE APRILAIRE FOR ANY LABOR COSTS AND SHALL NOT APPLY TO DEFECTS IN WORKMANSHIP OR MATERIALS FURNISHED BY YOUR INSTALLER AS CONTRASTED TO DEFECTS IN THE DEHUMIDIFIER ITSELF.

IMPLIED WARRANTIES OF MERCHANTABILITY OR FITNESS FOR A PARTICULAR PURPOSE SHALL BE LIMITED IN DURATION TO THE AFORESAID FIVE YEAR PERIOD. THE APRILAIRE LIABILITY FOR INCIDENTAL OR CONSEQUENTIAL DAMAGES, OTHER THAN DAMAGES FOR PERSONAL INJURIES, RESULTING FROM ANY BREACH OF THE AFORESAID IMPLIED WARRANTIES OR THE ABOVE LIMITED WARRANTY IS EXPRESSLY EXCLUDED. THIS LIMITED WARRANTY IS VOID IF DEFECT(S) RESULT FROM FAILURE TO HAVE THIS UNIT INSTALLED BY A QUALIFIED HEATING AND AIR CONDITIONING CONTRACTOR. IF THE LIMITED WARRANTY IS VOID DUE TO FAILURE TO USE A QUALIFIED CONTRACTOR, ALL DISCLAIMERS OF IMPLIED WARRANTIES SHALL BE EFFECTIVE UPON INSTALLATION.

Some states do not allow limitations on how long an implied warranty lasts or the exclusion or limitation of incidental or consequential damages so the above exclusion or limitations may not apply to you.

This warranty gives you specific legal rights and you may also have other rights which vary from state to state.

## WARRANTY REGISTRATION

Visit us online at [aprilaire.com](http://aprilaire.com) to register your AprilAire product. If you do not have online access, please mail a postcard with your name, address, phone number, email address, product purchased, model number, date of purchase, and dealer name and address to: AprilAire, P.O. Box 1467, Madison, WI 53701.

**Your warranty registration information will not be sold or shared outside of this company.**



Internal Use Only

10016378 • B2210022A • 4.22

© 2022 AprilAire | [aprilairpartners.com](http://aprilairpartners.com) | 800.334.6011

AprilAire reserves the right to change specifications without notice.

